



## OWNER'S MANUAL

### MODEL NUMBERS

- #700861 Snow blade 60"
- #700862 Snow blade 72"
- #700863 Snow blade 84"
- #700864 Snow blade 96"
- #700870 Loader universal quick attach  
« skid steer style »
- #700865 Angling push frame for snow  
blade

### OPTION MODEL NUMBERS

- #700869 Retractable side blade kit
- #700871 Hydraulic angling kit
- #700872 Regular hose kit
- #700873 Long hose kit

# ***BERCOMAC***

## ***Snow blade for tractor***

\*ASSEMBLY

\*REPAIR PARTS

\*OPERATION

\*MAINTENANCE

### **CAUTION:**

**READ & FOLLOW ALL SAFETY RULES & INSTRUCTIONS BEFORE  
OPERATING YOUR EQUIPMENT**



# Table of content

---

## Table of content

Introduction .....	3	Blade Angling.....	21
Important safety information .....	4	Manual angling.....	21
Safety alert symbol/Signal words/Safety messages.....	4	Hydraulic angling.....	21
Safety Decals .....	7	Blade tilt .....	21
Assembly & initial set-up .....	8	Unlocking blade tilt .....	21
Vehicle requirements .....	8	Locking the blade tilt.....	22
Reception .....	9	Blade lateral float .....	22
Assembly general instructions .....	9	.....	22
Accessory Assembly .....	10	Unlocking the lateral float.....	22
Assembly of the angling push frame.....	10	Locking the lateral float .....	22
Assembly of the loader universal quick connect (#700870).....	11	Blade skid shoe.....	23
Assembly of the trip spring .....	12	Spring adjustment .....	23
Options Assembly.....	12	Assembly of the trip spring .....	23
Retractable side blade (#700869) .....	12	Maintenance & Lubrication .....	24
Edge marker kit (#700665).....	13	Maintenance schedules.....	24
Rubber deflector (#700664).....	13	Lubrication.....	24
Hydraulic angling kit (#700869) .....	13	Maintenance procedures .....	24
Initial set-up.....	15	Steel cutting edge .....	24
Accessory Hook-up & Unhook .....	16	Troubleshooting.....	25
Option A : Skid steer quick attach Style .....	16	Storage and transportation .....	26
Operating Instructions .....	18	Long-Term Storage .....	26
Safety precaution .....	18	Transportation.....	26
Controls and display .....	18	Specifications .....	27
Operating instructions.....	19	Part list and parts breakdown.....	28
Pre-start instructions .....	19	Main accessories .....	28
Vehicle shutdown procedures .....	19	Options .....	46
Hooking-Up the accessory .....	19	Torque specification table .....	52
Unhooking the accessory .....	19	Warranty.....	53
Operation of the snow blade on loader.....	19		
Adjustments.....	21		

# Table of content

---

## Introduction

### To the purchaser

This new accessory was carefully designed to give years of dependable service. This manual has been provided to assist in the safe operation and servicing of your attachment.

All photographs, illustrations and information in the manual may not necessarily depict the actual models or attachments, but are intended for reference only and are based on the latest product information available at the time of publication.

Familiarize yourself fully with the safety recommendations, assembly, operating procedures, adjustments, troubleshooting, and maintenance before putting the machine to use. It's a necessity for all operators to carefully read, understand and follow these recommendations and insist that they be followed by those who will use this attachment. This manual should be kept for future reference.

Please check if you have received all the parts for your kit with the list of the bag and the list of the box.

### Serial number

If applicable, record the serial number and purchase date of your attachment in the section reserved below. Your dealer will require this information to give you prompt, efficient service when ordering replacement parts. Use only genuine parts when replacements are required.

If applicable, the location of the serial number on the accessory is shown in the parts breakdown & part list section of this manual.

**SERIAL NUMBER** \_\_\_\_\_ **MODEL NUMBER** \_\_\_\_\_

**PURCHASE DATE** \_\_\_\_\_

If warranty repairs are required please present this registration booklet and original sales invoice to your selling dealer for warranty service.

### Terminology

- "Accessory" is used as a general word to describe the accessory described in this manual
- The "right" and "left" side is determined by sitting in the driver's seat facing forward.
- "Vehicle" is a general term to describe on what vehicle (tractor, atv, utv, garden tractor,...) the accessory is installed

### Further Assistance

If you need any assistance in understanding the information given in the manual and other concerns regarding operation of the machine or for repair parts, safety decals,...

1. Ask your dealership service
2. If you are not satisfied seek for general manager of dealership or service manager
3. If you still not satisfied, contact us at the address specified on the back page of this manual

### Application

The Snow blade is designed to push snow straight ahead or angled to clear driveway or parking lot from snow in winter time.

## Important safety information

### Safety alert symbol/Signal words/Safety messages

These are common practices that may or may not be applicable to the product described in this manual.

#### **SAFETY ALERT SYMBOL**



**THIS SAFETY ALERT SYMBOL IDENTIFIES AN IMPORTANT SAFETY MESSAGE IN THIS MANUAL THAT HELPS YOU AND OTHERS AVOID PERSONAL INJURY OR EVEN DEATH. DANGER, WARNING, AND CAUTION ARE SIGNAL WORDS USED TO IDENTIFY THE LEVEL OF HAZARD. HOWEVER, REGARDLESS OF THE HAZARD, BE EXTREMELY CAREFUL.**

**⚠ DANGER:** Signals an extreme hazard that will cause serious injury or death if recommended precautions are not followed.

**⚠ WARNING:** Signals a hazard that may cause serious injury or death if the recommended precautions are not followed.

**⚠ CAUTION:** Signals a hazard that may cause minor or moderate injury if the recommended precautions are not followed.

#### **PREPARATION FOR USE**

All operators, no matter how experienced they may be, should read and understand this and other manuals related to the vehicle and accessory before operating. It is the owner's legal obligation to instruct all operators in safe operation of the accessory to prevent injury or death. Improper use of the accessory can cause serious injury or death.

- Read and understand this owner's manual carefully. Be thoroughly familiar with the controls and proper use of the vehicle and accessory. Know how to stop the unit and handle the controls quickly in case of emergency
- Read and understand the "Safety Decals" section, read all instructions noted on them or/and in the "Safety Decals" section
- Never allow children to operate the vehicle nor the accessory. Never allow adults to operate or maintain the vehicle nor the accessory without proper instructions. Local regulations restrict the age of the operator.
- Children are often attracted to accessories. Never assume children will stay in place where you have last seen them. Keep children under surveillance of a responsible adult at all times.
- No one should operate the vehicle nor the accessory while intoxicated or while taking medication that impairs the senses or reactions. The operator should, if taking medication, seek

medical advice on whether he/she can safely operate the equipment.

- Keep the area of operation clear of all people, particularly small children.
- Never start or operate the accessories except from the operator's seat.
- Prepare for emergencies. Be prepared if a fire starts. Keep first aid kit and fire extinguisher handy. Keep emergency phone numbers (doctor, ambulance, etc) near a phone
- Thoroughly inspect the area where the accessory is to be used and remove door mats, wires, and other foreign objects
- For motorized accessories, disengage all clutches and shift into neutral before starting engine.
- Do not operate or maintain the accessory without wearing adequate clothing and safety equipment. (glasses, muffs, earplugs, mask...) Wear footwear that will improve footing on slippery surfaces. Prolonged exposure to loud noise can cause hearing impairment or hearing loss.
- Clothing should be snug without fringes and pull strings to avoid entanglement with moving parts.
- Avoid wearing radio headphones while operating.



## Important safety information

---

- Handle fuel with care, it is highly flammable and vapors are explosive.
  - a) Extinguish all cigarettes, cigars, pipes and other sources of ignition.
  - b) Use approved fuel container.
  - c) Never add fuel to a running engine or hot engine.
  - d) Fill fuel tank outdoors with extreme care. Never fill fuel tank indoors.
  - e) Never fill containers inside a vehicle, on a truck or a trailer bed with a plastic liner. Always place containers on the ground, away from your vehicle, before filling.
  - f) When possible, remove gas-powered equipment from the truck or trailer and refuel it on the ground. If this is not possible, then refuel such equipment on a trailer with a portable container, rather than directly from a gasoline dispenser nozzle.
  - g) Keep the nozzle in contact with the rim of the fuel tank or container opening at all times, until refueling is complete. Do not use a nozzle lock-open device.
  - h) Never overfill fuel tank. Replace fuel cap securely and wipe up spilled fuel.
  - i) If fuel is spilled on clothing, change clothing immediately.
- Never attempt to make any adjustments while the engine (motor) is running (except when specifically recommended by manufacturer).
- Let the vehicle and accessory adjust to outdoor temperatures before using.
- Always make sure to have safe traction on the vehicle by using the recommended accessories (chains, tracks, counterweights...). See operation section.
- Always make sure all components are correctly installed. (driveline securely attached and locked at both ends, belts properly installed...)
- Never modify the accessory or any part without the written consent from the manufacturer. Use only options/accessories approved by the manufacturer
- Avoid underground utilities. If the accessory digs into the ground, always contact your local utility companies (electrical, water, gas,...) before digging to know where you can dig.
- Exercise extreme caution when operating on or crossing gravel drives, walks or roads. Stay alert for hidden hazards such as traffic, fences, trees, buildings, wires, etc.
- After striking a foreign object, stop the engine (motor), disconnect the wire from the spark plug(s) and keep wire away to prevent accidental starting. Thoroughly inspect the accessory for any damage and repair damage before restarting and using the accessory.
- If the unit should start to vibrate abnormally, stop the engine (motor) and check immediately for the cause. Vibration is generally a warning of trouble. Do not use equipment until properly repaired.
- Take all possible precautions when leaving the operator's seat. Disengage the power take-off, lower the accessory, place the transmission into neutral, set the parking brake, stop the engine and remove the ignition key to prevent unauthorized starting then wait for all components to come to a complete stop before leaving operator's seat.
- Do not run the engine indoors, except when starting the engine and for transporting in or out of the building. Do not operate or let motor run in a storage area without ventilation because gas contains carbon monoxide which is odorless, colorless and can cause death.
- Never use the accessories across the face of slopes, go from top to bottom. Exercise extreme caution when using equipment on slopes, on wet ground or near a drop-off. Do not attempt to use accessory on a steep slope.
- Never tolerate bystanders in the working zone or between the vehicle and accessory while hooking-up the accessory.
- Never operate the accessory at high transport speeds. Move and turn vehicle at low speeds during operation. Be cautious when backing up.
- Do not carry or lift passengers on vehicle or accessory.
- Disengage power to the accessory when it is transported or not in use.
- Never operate the accessory without good visibility or light.
- Keep the accessory away from heat sources or flames.
- Never use accessory if it has been dropped or damaged. Repair if necessary before re-using.
- Never use an accessory without proper guards, plates, or other safety protective devices in place

### **OPERATION:**

- Do not put hands or feet near, under or inside rotating parts or any power driven parts

# Important safety information

---

## TRANSPORT

- Review Transport Safety instructions in the vehicle manual before moving or hauling.
- Check with local authorities regarding transport on public roads and off road. Comply to all applicable laws and regulations.
- Make sure all lights and reflectors that are required by the local highway and transport authorities (example : SMV (Slow Moving Vehicle), flashing warning light) are in place, are clean, and can be seen clearly by all overtaking and oncoming traffic. Turn on flashing warning light whenever on a highway, except where such is prohibited by law.
- Never have the equipment in operation during transport.
- Always travel at a safe at slow speed to allow adequate steering control and stopping
- Always drive with accessory low to the ground but high enough to avoid any contact with road or any foreign objects during transportation
- Avoid any contact with any overhead power line.
- Never drive the accessories across the face of slopes, go from top to bottom or bottom to up
- Engage parking brake when stopped on an incline
- Allow for the accessory length when making turns.

## MAINTENANCE AND ADJUSTMENT

- When cleaning, repairing or inspecting the vehicle and accessory: park on a solid level ground (in a clean dry area), disengage drives, lower implement, set parking brake, stop the engine, remove ignition key, and wait that all moving parts have stopped and cooled. For gasoline engine, disconnect wire from the spark plug(s) and keep wire away to prevent accidental starting.
- Allow the accessory to cool before working on it
- Use a jack and support blocks to support equipment when required. Carefully release pressure from equipment with stored energy.
- Check all the bolts and components at frequent intervals to make sure that they are properly tightened and in safe working condition.
- When inflating tires, stand on one side NOT in front or over the tire assembly. Use a safety cage if available.
- Remove grease, oil, or debris build-ups.

Remove all tools and unused parts from equipment before operation.

- Disconnect battery ground cable (-) before servicing or adjusting electrical systems or before welding on implement
- Replace parts on this accessory with genuine part only.
- Understands maintenance and adjustment procedure, see adjustment and maintenance section of the owner's manual.
- Never work or walk under the accessory unless securely blocked. Otherwise accessory can fall.
- Visually check for hydraulic leaks and broken, missing, or malfunctioning parts and make necessary repairs before applying pressure to the system. Do the same validation after applying pressure to the system (use a piece of cardboard not your hands to detect leaks).
- Escaping hydraulic oil under pressure can have sufficient force to penetrate skin, causing serious personal injury. If injured by escaping fluid, obtain medical treatment immediately.
- Wear protective gloves and safety glasses or goggles when working with hydraulic system.
- Before disconnecting hydraulic line or performing work, relieve all hydraulic pressure

## STORAGE

- Never store a motorized accessory with fuel in the fuel tank inside a building where ignition sources are present such as hot water and space heaters, clothes dryers, and the like. Allow the engine to cool before storing in any enclosure.
- Always refer to the owner's manual when you store the accessory and vehicle for a prolonged or an unspecified length of time.
- Maintain or replace safety and instruction labels, as necessary.
- For winter accessories, (if applicable), let the engine run for a few minutes after clearing snow in order to prevent the rotary parts from freezing.
- Always refer to operator's manual for important details if the accessory is to be stored for an extended period
- Store the accessory in an area where children normally do not play. Secure the implement using blocks and supports and secure any pointy or sharp edges.

# Important safety information

---

## Safety Decals

Read and understand all instructions/explanations noted on decals or/and in the “Safety Decals” section

- Keep the safety decals clean and visible
- For decal location see part list section of this manual
- Replace decals if decals are missing or illegible
- To buy new decals, see the “further assistance” section in the introduction section of this manual
- To Install new labels
  - Deeply clean area where the label will be installed (remove any grease, rust, dust,...)
  - Apply adhesion promoter PRO-FORM PF946C (follow instruction on product label)
  - Peel the decal and install at the proper location (see part list) by pressing on the decal
  - Remove any bubbles under the decal

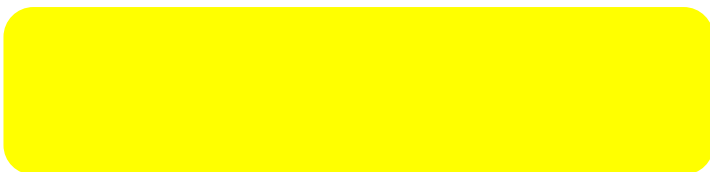
Decal # 107650 (2 places)

<b>⚠ WARNING ⚠</b>	<b>⚠ AVERTISSEMENT ⚠</b>
<p><b>TO AVOID INJURY OR MACHINE DAMAGE:</b></p> <ul style="list-style-type: none"><li>• Read and understand owner's manual before using machine. Contact dealer for manual.</li><li>• Keep others away during operation.</li><li>• DO NOT allow riders.</li><li>• Lower implement to the ground, stop tractor engine, set park brake, remove ignition key BEFORE servicing, adjusting, repairing or unhooking.</li><li>• DO NOT put any part of the body under the implement.</li></ul>	<p><b>POUR ÉVITER DES BLESSURES OU DOMMAGES À L'ÉQUIPEMENT :</b></p> <ul style="list-style-type: none"><li>• Lire et comprendre les instructions dans le manuel du propriétaire. Communiquez avec le détaillant pour le manuel.</li><li>• Gardez les gens à l'écart lorsqu'en opération.</li><li>• NE PAS accueillir de passagers.</li><li>• Abaissez l'accessoire par terre, arrêtez le moteur du tracteur, appliquez le frein de stationnement, enlevez la clé de contact AVANT de débiter tout ajustement, réparation ou pour déconnecter l'équipement.</li><li>• NE PAS placer aucune partie du corps sous l'accessoire.</li></ul> <p style="text-align: right;">107650</p>

Decal # 108846 Red reflector (2 places)



Decal #108847 Yellow reflector (2 places)



## Assembly & initial set-up

### Vehicle requirements

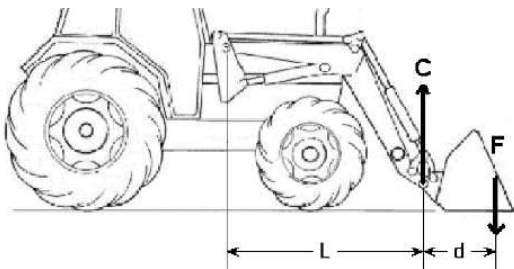
The Snow Push is designed to attach to tractor loader equipped with a loader universal quick attach hitch “skid steer style

- Hitch type: Tractor Loader Universal Quick Attach(skid steer quick attach type)
- Horsepower range: 30-75hp
- Vehicle type : agricultural tractor with loader
- Maximum vehicle weight: 8000lbs
- Maximum lift capacity to full height at pivot pin : 5000lbs
- Maximum hydraulic pressure : 3000psi
- loader minimum lift capacity at full height at pivot pin (C) is
  - Blade 60 & 72” without option 1000lbs
  - Blade 60 & 72” with option 1400lbs
  - Blade 84 & 96” without options 1200lbs
  - Blade 84 & 96” with option 1550lbs
  - IMPORTANT, If length L is less than 40”, contact us for calculation.

### WARNING

***To avoid serious injury or death caused by vehicle overturn from falling of the vehicle:***

Operate only with tractor equipped with an approved rollover-protective structure (ROPS) or ROPS cab and seat belt. Foldable ROPS must be kept up at all times. Fasten seatbelt snugly and securely.



# Assembly and initial set-up

## Reception

### CAUTION

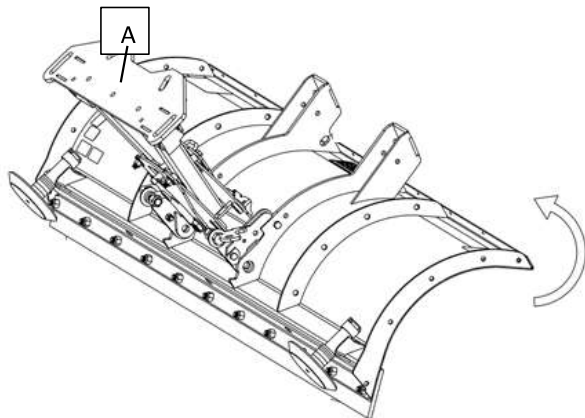
#### *To avoid serious injury :*

Keep Clear. The accessory can flip forward or backward suddenly causing serious injury while removing the accessory from packaging.

## Assembly general instructions

- Unless otherwise specified, torque all bolts to “torque specification table” (see table of content for page number)
- Refer to parts breakdown section for part identification.

- A. Remove shipping crate cover and side
- B. Install the angling push frame on the blade (see accessory assembly sub section of the section assembly & initial setup)
- C. Using a hoist, fork lift, or other lifting device, attach lifting chain to the snow blade push frame (at location A). Make sure the lifting device (if applicable) is located on the skid shoe side of the snow blade.
- D. Slowly lift unit until it has rotated upright
- E. Lower unit down slowly until edge of blade is touching the ground. Then move lifting device rearward while slowly lowering the unit to make the unit pivoting until only cutting edge or skid shoe and back of the push frame are resting on the ground.



- F. Install the universal loader quick hitch (see accessory assembly sub section of the section assembly & initial setup)

We suggest doing any other assembly after the accessory has been hooked up to the vehicle and securely supported with solid support.

# Assembly and initial set-up

## Accessory Assembly



### WARNING

**THIS ACCESSORY AND ALL OPTIONS ARE HEAVY!**

To avoid risk of strain injury, NEVER lift the accessory or any options by hand alone when handling the components or assembly. Use proper lifting device and seek assistance.

When accessory is off the ground, NEVER be underneath the accessory. Serious injury including possibility of death could occur if accessory were to drop suddenly.

Always wear protective shoes and appropriate gloves when manipulating or using this equipment.



### CAUTION

**To avoid serious injury !**

Proceed to the assembly of the accessory or option after the accessory or option have been securely lifted with a hoist or other lifting device.

Do not remove lifting device until assembly is complete to avoid accessory or option falling suddenly

## Assembly of the angling push frame

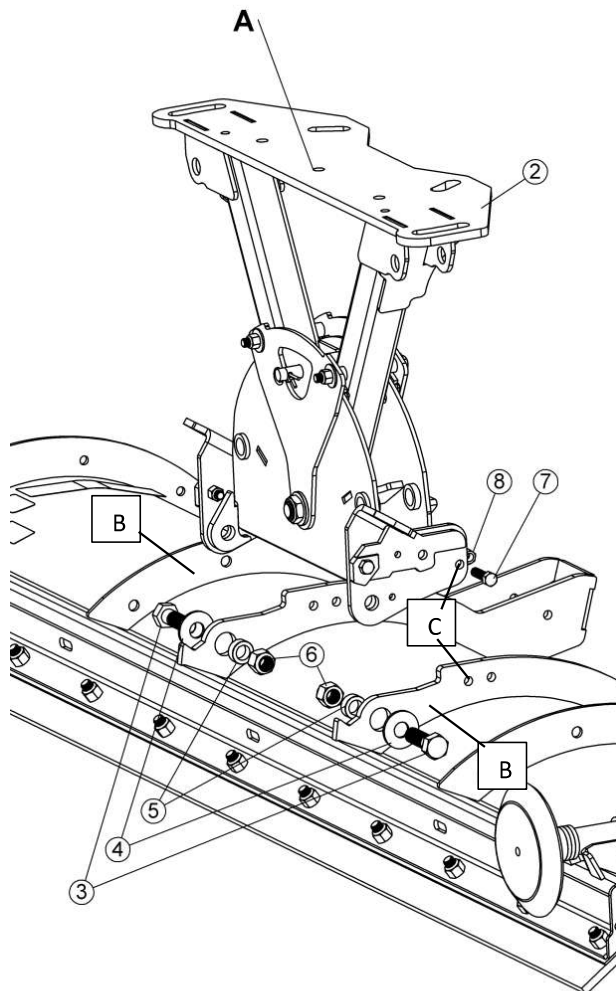
Remove fabrane, crate top and side and any hardware securing the push frame in the packaging (item 700865)

Using a hoist, forklift, or other lifting device, attach lifting chain around the plate tube of the push frame (item A) and lift off the ground



Safely move the push frame (item 2) on the blade and install the push frame on the blade as illustrated.

- Insert the push frame (item 2) inside the two back reinforcement of the blade (item B)
- Put the Sleeve (item 5) inside the pivot hole on each blade reinforcement (item B) as illustrated
- Secure the assembly with two bolts  $7/8 \times 2-3/4$ " (item 3), 2 washer  $15/16$ " (item 4) and nylon insert lock nut  $7/8$ " (item 6)
- Finalize the assembly by locking the pivot using one bolt  $1/2 \times 1-3/4$ (item 7) and nylon insert lock nut  $1/2$ " (item 8) in hole C (do this on each side of the push) on push frame and blade.

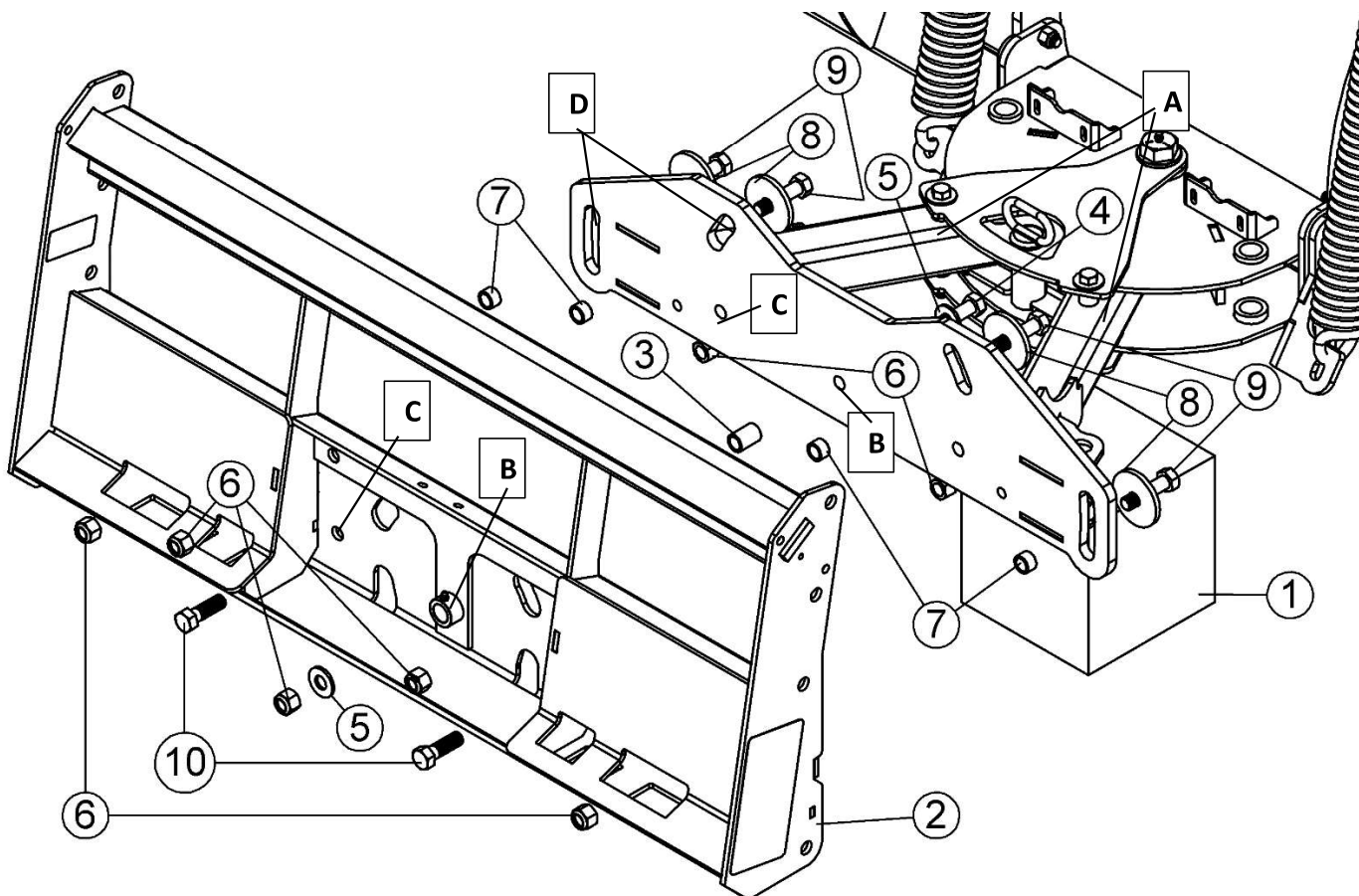


## Assembly and initial set-up

### Assembly of the loader universal quick connect (#700870)

Following the instruction on the reception section, the blade and push frame are now resting on the ground

- A. Using a hoist, forklift, or other lifting device, attach lifting chain around the push frame tubing (item A) and lift off the ground.
- B. Place a solid block (item 1) under the push frame then slowly lower the accessory until the accessory is resting on the block. Do not remove lifting chain until the assembly of the quick connect is completed
- C. Insert the sleeve (item 3) inside the universal quick hitch pivot (item B)
- D. Complete the assembly of the quick hitch on the push frame at the pivot point, by securing the pivot with hex bolt 5/8 x 3" (item 4) two washers (item 5) and one nylon insert lock nut (item 6)
- E. Lock the pivot of the quick hitch using two bolts 5/8"x2 (item 10) and nylon insert lock nut 5/8" (item 6) in hole C. (one on each side of the pivot)
- F. Finalize the assembly by inserting the 4 sleeves (item 7) in all 4 slots (item D : 2 on each side of the push frame) and secure it in place with the 4 bolts 5/8 x 2" (item 10) 4 washers (item 8) on the push frame side and 4 nylon insert lock nuts 5/8" (item 6) in the quick attach as illustrated
- G. Lift the blade, remove support block then lower to the ground. Remove lifting chain

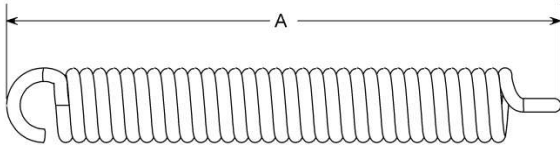




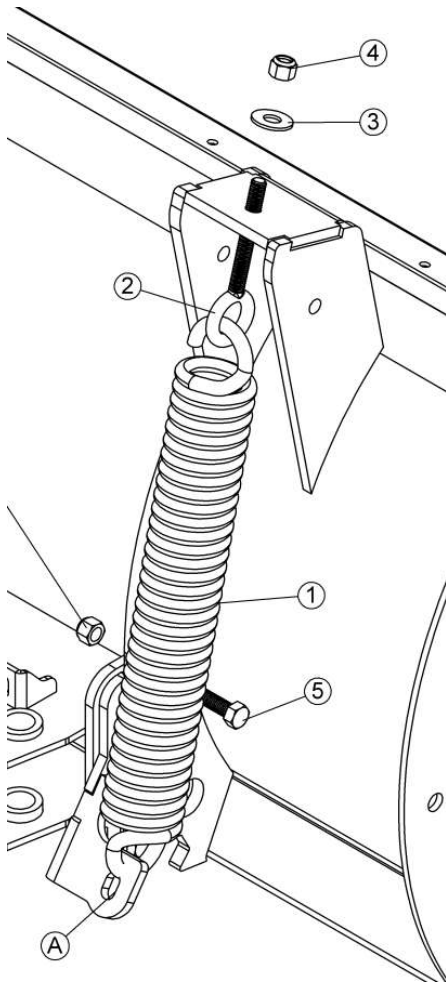
# Assembly and initial set-up

## Assembly of the trip spring

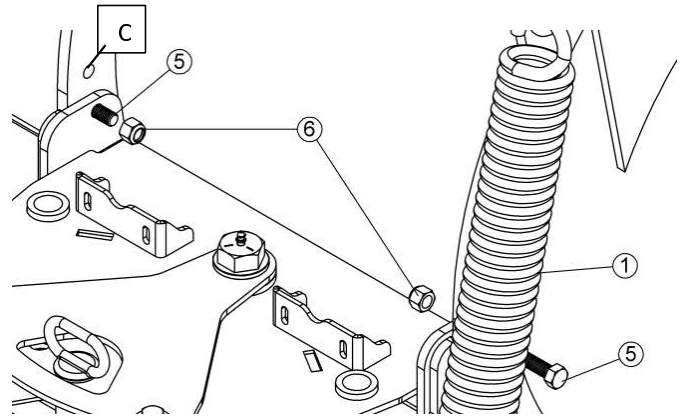
- A. Measure overall length of the spring ( item A). This will be required for the next step to be able to measure the spring after tensioning.



- B. Insert lower portion of the spring (item 1) in the slot on the push frame (item A). After install the higher portion of the spring in the eyebolt (item 2) as illustrated. Secure into place with the nylon insert lock nut 1/2 (item 4) and the washer 9/16" (item 3) as illustrated. Finally extend the spring by 25mm (1/2")



- C. Remove the two blade tilt locking bolt (item 5) and nylon insert lock nut (item 6) and install in hole C for future use (one on each side)



## Options Assembly

A complete options list for this accessory is available at your dealer.

### Retractable side blade (#700869)

Before performing the assembly, hook-up the accessory to the vehicle. See "Accessory hook-up & unhook section".

#### **DANGER**

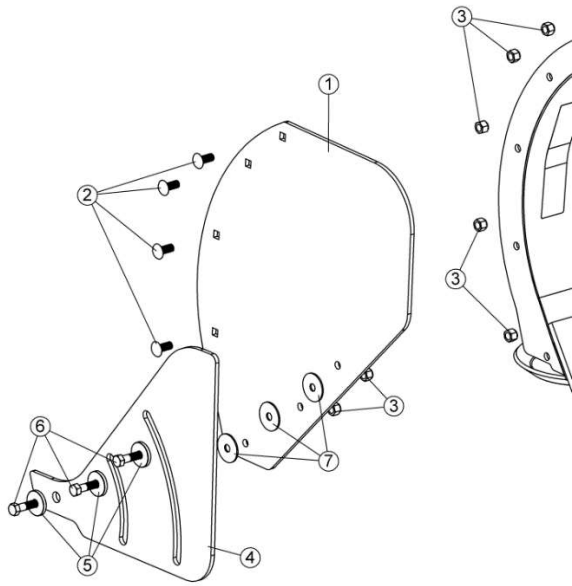
**To avoid serious injury or death:!**

Proceed to the assembly/adjustment on the accessory after it has been properly attached to the vehicle and secured with solid support. Never work around equipment supported by hydraulics. Hydraulics can drop equipment instantly if controls are actuated or if hydraulic lines burst even when power to hydraulics is shut off.

- A. Install the lateral panel (item 1) on the blade using 4 carriage bolts 1/2 x 1-1/4" (item 2) and nylon insert lock nut 1/2 (item 3)
- B. Install the retractable panel as illustrated using 3 hex bolts 1/2 x 2" (item 5) 3 sleeve (item 5), 3 spacers (item 7) and 3 nylon insert lock nuts 1/2" (item 3)
- C. Do this for the other side of the blade



# Assembly and initial set-up



## Edge marker kit (#700665)

See kit instruction for instructions

## Rubber deflector (#700664)

See kit instruction for instructions

## Hydraulic angling kit (#700871)

### **⚠ DANGER**

To avoid serious injury or death:

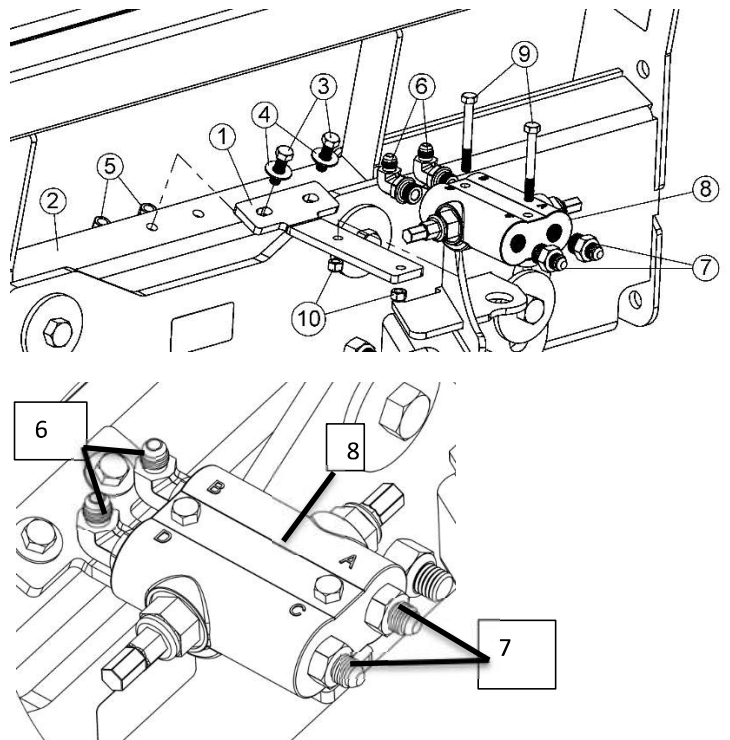
- Escaping hydraulic oil under pressure can have sufficient force to penetrate skin, causing serious personal injury. If injured by escaping fluid, obtain medical treatment immediately.
- Wear protective gloves and safety glasses or goggles when working with hydraulic system.
- Before disconnecting hydraulic line or performing work, relieve all hydraulic pressure
- Visually check for hydraulic leaks and broken, missing, or malfunctioning parts and make necessary repairs before applying pressure to the system. Do the same validation after applying pressure to the system (use a piece of cardboard not your hands to detect leaks).

### **⚠ DANGER**

To avoid serious injury or death!

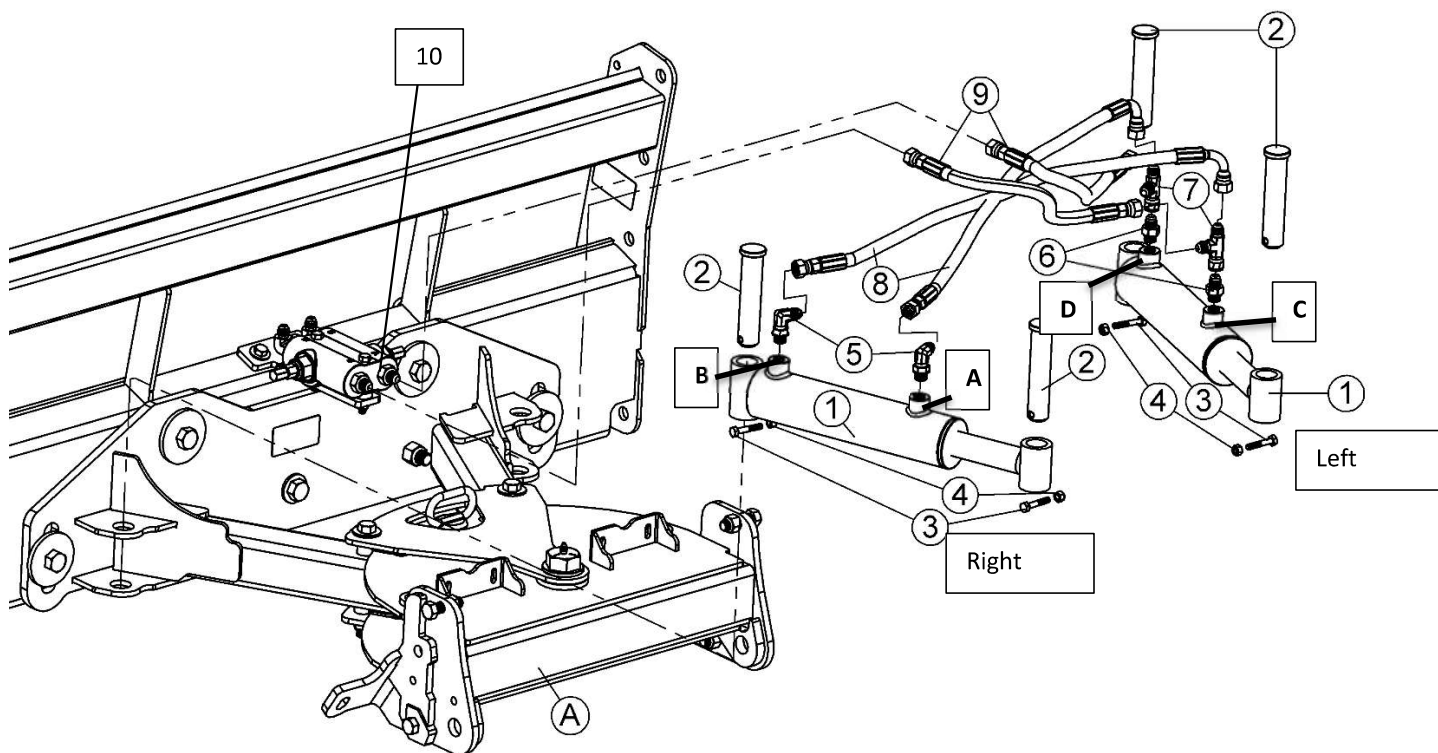
Proceed to the assembly/adjustment on the accessory after it has been properly attached to the vehicle and secured with solid support. Never work around equipment supported by hydraulics. Hydraulics can drop equipment instantly if controls are actuated or if hydraulic lines burst even when power to hydraulics is shut off.

- A. Install the hydraulic valve support (item 1) on the quick hitch (item 2) using two bolts 3/8x 1-1/4" (item 3) two washers 7/16" (item 4) and nylon insert lock nuts 3/8" (item 5) as shown on picture
- B. Prepare the hydraulic valve (item 8) by installing the straight hydraulic adaptor (item 7) on the port A and C of the hydraulic valve and the elbow adaptor (item 6) on the port B and D of the valve as illustrated on next page and tighten
- C. Install the valve on the support using hex bolt 5/16 x 2-3/4" (item 9) and nylon insert lock nut 5/16" (item 10)



## Assembly and initial set-up

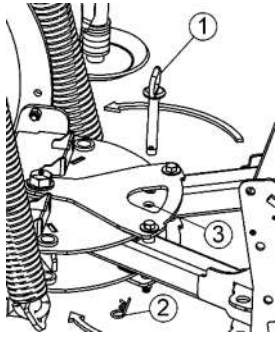
- D. Install both actuators (item 1) on each side of the frame as illustrated using pin (item 2) and secure the pin with hex bolt  $1/4 \times 1-1/2$  (item 3) and nylon insert lock nut (item 4)
- E. Install the elbow hydraulic adaptor (item 5) on the right hydraulic actuator on port A and B and install hydraulic hoses (item 8) on the elbow hydraulic actuator (item 5) as shown
- F. Install the straight adaptor (item 6) and the T adaptor (item 7) on the left actuator do this on port C and D as shown
- G. Assemble the hydraulic hoses elbow side of the hose (item 8) from the right actuator to the top of the T
- H. Install remaining 2 hydraulic hoses (item 9) on the 2 remaining ports on the T adaptor on the left cylinder port C and D and connect to the valve (item 10) as shown
- I. Adjust hydraulic hoses and fittings as needed then tighten all hoses and fittings



## Assembly and initial set-up

---

- J. Remove the Pin (item 1) and hair pin (item 2)



- K. Install the hydraulic hoses kit  
Option kit #700782: : regular hose 7'  
Option kit #700873 : long hose 16'
- L. Install the proper quick connect for your tractor
- Obtain locally, or contact us for quick connect kit

### Initial set-up

See adjustment section for complete list of the adjustments.

## Accessory Hook-up & Unhook

### Option A : Skid steer quick attach Style

Use this instruction if the accessory is equipped with a universal quick attach for loader

### Hooking-Up the accessory - Skid steer quick attach style

#### **DANGER**

To avoid serious injury or death :

A Crushing Hazard exists when hooking-up equipment. Do not allow anyone to stand between vehicle and the equipment while hooking-up to implement. Do not operate hydraulic controls while someone is near the vehicle or implement.

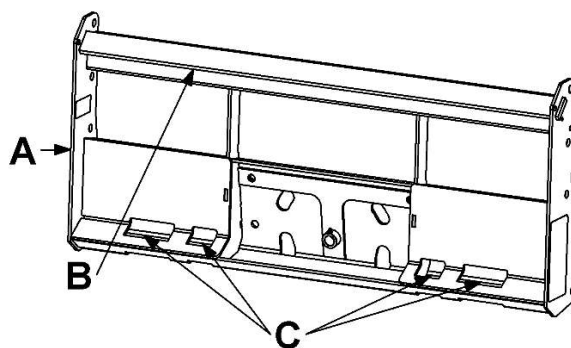
#### **WARNING**

To avoid serious injury or death :

Make sure the skid steer style loader hitch is properly attached to the quick attach frame. It must be secured under the top angle bar and locking handles must be locked down with locking pins extending fully through the bottom slots. An improperly attached equipment can come loose and fall.

- A. Shutdown vehicle see “vehicle shutdown procedure” in the operation section
- B. Make sure all hooking components are clean and no components will interfere with hitch hook-up. If needed, pull locking handles up on loader hitch until locking pins are fully raised.
- C. Carefully drive up to the accessory making sure loader hitch is parallel with the quick attach frame (item A).
- D. Rotate top of loader hitch slightly forward.
- E. Place top of loader hitch under the top angled bars (item B) on the quick attach frame.
- F. Slowly lift loader hitch up until hitch and top angle bars on the equipment have come together.
- G. Rotate top of loader hitch back to align bottom slots (item C) in the quick attach frame with locking pins on the loader hitch.

- H. Shut down vehicle before dismounting to complete hook-up. Refer to “vehicle shutdown procedure” in the operation section
- I. Push locking handles on loader hitch down until locking pins fully extend through bottom slots (items C) in quick attach frame. Make sure locking handles are locked into position to keep pins from backing out
- J. See hose Hook-up section and electrical Hook-up if applicable



*Note : Accessory has been hidden on the picture above for comprehension*

### Check interferences

Repeat the following steps for all possible adjustments of the accessory (see adjustment section) and all possible movement of any part of the accessory which affect the position of any part of the accessory relatively to the tractor.

- A. After doing the adjustment, validate that any part of the accessory does not contact any part of the tractor
- B. Slowly move the accessory up and down and validate that any part of the accessory does not come in contact any part of the tractor

# Accessory Hook-up & Unhook

## Hose Hook-Up

 **DANGER****To avoid serious injury or death:**

- Escaping hydraulic oil under pressure can have sufficient force to penetrate skin, causing serious personal injury. If injured by escaping fluid, obtain medical treatment immediately.
- Wear protective gloves and safety glasses or goggles when working with hydraulic system.
- Before disconnecting hydraulic line or performing work, relieve all hydraulic pressure
- Visually check for hydraulic leaks and broken, missing, or malfunctioning parts and make necessary repairs before applying pressure to the system. Do the same validation after applying pressure to the system (use a piece of cardboard not your hands to detect leaks).

1. Route hydraulic hose to the tractor hydraulic quick connect in a way to avoid damage to hose and allow movement of any components. Not limited to example : avoid any contact with any sharp edges, hot surfaces, any moving part of any component of the vehicle that may damage the hose during installation, operation or maintenance
2. Clean quick couplers and connect the quick coupler to the tractor quick couplers. Make sure this is the same coupler size and type and fully engaged.
3. Use the hydraulic control to activate the accessory. If the movement is the inverse than what expected, switch hose on the tractor coupler.
4. Purge the hydraulic system (see purging hydraulic system section)

## Purging hydraulic System

Hydraulic components on the accessory can contain air. The air need to be purged from component

1. Raise the accessory 6'' off the ground
2. Activate the hydraulic control to cycle all possible movement of the accessory several times until the movement is stable.

## Unhooking the accessory - Skid steer quick attach style

- A. Park vehicle on a solid and flat surface
- B. Shut down vehicle (see shutdown vehicle in operation section)
- C. Lock lateral float (see adjustment section)

Place transmission in park, set park brake, shut power equipment off, and remove switch key to avoid accidental starting. See "vehicle shutdown procedures" in the operation section

**Remove from Skid Steer Style Hitch:**

- A. Remove any electric or hydraulic connections if applicable
- B. Pull lock handles up to remove pins from bottom slots in hitch plate.
- C. Return to vehicle. Start vehicle and tilt top of hitch plate slightly forward toward the equipment.
- D. Slowly lower the equipment until its top angle bar and loader hitch have separated.
- E. Back vehicle slowly away from the equipment while making sure the loader hitch does not interfere with the equipment.
- F. Shutdown the vehicle See "vehicle shutdown procedures" in the operation section.
- G. Check the stability of the accessory to make sure the unit will not tip easily in any direction (forward, backward,...). If required, add support where needed to make sure the accessory will not overturn
- H. Refer to long term storage section if accessory will be stored for a long period

## Operating Instructions

### Safety precaution

#### **DANGER**

To avoid serious injury or death :

- Always follow all safety precaution in the important safety information section of this manual.
- Follow all instructions and safety precautions in your vehicle manual and any other related accessory manual.
- Always follow all safety precaution on all safety decals
- To avoid being pinned between loader lift arm or 3pts hitch and vehicle frame, always operate the accessory while seated in the operator seat with seat belt fastened
- Keep any part of your body inside the operator area
- Before leaving the operator's seat, lower attachment to the ground, set park brake, turn off engine and remove key
- Do not use foot or hand control for handholds or steps.
- Keep foot and hand control clean at all time
- Never bypass or modify a safety device
- Keep away from electrical power lines
- Never allow riders on vehicle or accessory
- Operate vehicle only if equipped with ROPS with seatbelt fasten at all time
- Check hitch fit-up frequently. An improper fit-up can result the accessory detaching from the vehicle
- It's the operator responsibility to make sure nobody is in the working area before performing any work or any movement with the vehicle and accessory
- If applicable stop loader arms gradually when lowering or lifting

#### **WARNING**

***To avoid serious injury or death caused by vehicle overturn from falling of the vehicle:***

Operate only with tractor equipped with an approved rollover-protective structure (ROPS) or ROPS cab and seat belt. Foldable ROPS must be kept up at all times. Fasten seatbelt snugly and securely.

#### **CAUTION**

**To avoid serious injury:**

- Use the accessory for the intended purpose only, use only for plowing snow. If blade tilt is locked, the blade can be used to move small amount of light aggregate materials like loose soil. Do not use to move heavy material, gravel, rock. This is not a dozer blade.
- Avoid hitting solid objects with the accessory. Hitting objects can damage the accessory and vehicle. Also hitting solid objects can throw the operator forwards causing severe injury

### Controls and display

The accessory is controlled by the loader control on the vehicle if the accessory is mounted on the loader and the third function loader valve for the hydraulic angling if vehicle and snow blade are equipped with.

Follow the instruction in your vehicle/loader manual for proper control of the accessory

# Operating instructions

---

## Operating instructions

### Pre-start instructions

Always inspect equipment before using this equipment. Refer to section "Maintenance and Lubrication"

### Vehicle shutdown procedures

Always shut down vehicle before dismounting

1. If engaged, disengage PTO
2. Park on level surface, engage park brake, lower attachment to the ground, turn off engine, and remove key to prevent unauthorized starting.
3. Wait for all components to come to a complete stop before leaving the operator seat.
4. Use steps, grab-handles, and skid-resistant surfaces when getting on and off the vehicle

### Hooking-Up the accessory

See the Accessory Hook-up and Unhook section of this manual

### Unhooking the accessory

See the Accessory Hook-up and Unhook section of this manual

### Operation of the snow blade on loader

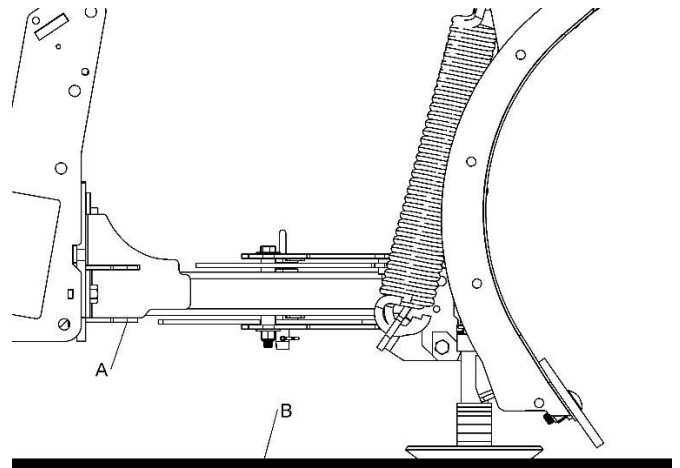
The accessory is used to clean snow from parking lot, driveway, ...

#### **To clean snow**

- Make sure blade tilt is unlocked (see adjustment section).
- Make sure the blade lateral float is unlocked (see adjustment section)

- Prepare the area to identify any potential obstructions and identify with stakes that can be seen above snow
- Make all required adjustment (see adjustment section)

- A. Using the loader tilt control lever, make sure the push frame (item A) is parallel to ground (item B)



- B. Lower the accessory at the desired location and put the loader valve on float mode
- C. Make sure the blade push frame still parallel to the ground
- D. Use the vehicle to go forward to push snow at low speed. To angle the blade to clean large lots, see the adjustment section
- a. If snow is too thick or wet, remove layer by layer. For example: 12" wet snow, clean the 6" at the top then do another pass to complete the snow removal

#### **To move light aggregate materials**

- Make sure blade tilt is locked (see adjustment section).
  - Make sure the blade lateral float is locked (see adjustment section)
- A. Using the loader tilt control lever, tilt the blade backward or rearward at desired location

## Operating instructions

---

- B. Lower the accessory at the desired location using loader control. Do not put down pressure on the blade
- C. Use the vehicle to go forward to push snow at low speed. To angle the blade, see the adjustment section. Do not overload the blade



## Adjustments

### **DANGER**

**To avoid serious injury or death:!**

Proceed to the assembly/adjustment on the accessory after it has been properly attached to the vehicle and secured with solid support. Never work around equipment supported by hydraulics. Hydraulics can drop equipment instantly if controls are actuated or if hydraulic lines burst even when power to hydraulics is shut off.

## Blade Angling

### Manual angling

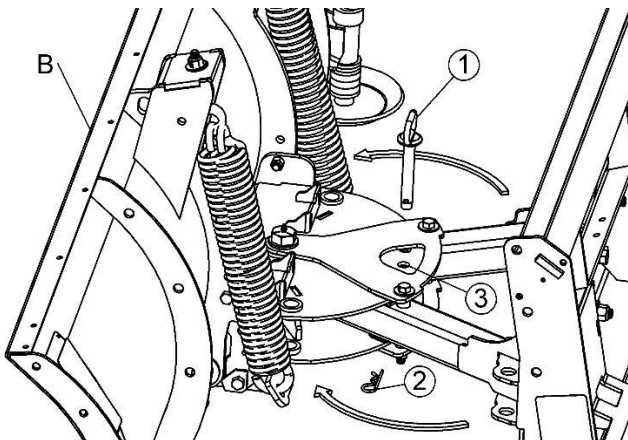
### **CAUTION**

**To avoid serious injury:**

Do not put finger or any part of the body in turntable holes. This can shear object and/or part of body

There is 5 holes on the snow blade frame for angle adjustment

- To angle the blade, remove the pin (item 1) and the hair pin (item 2)
- Rotate the blade (item B) at the desired angle
- Insert the pin (item 1) in the hole at location 3 and secure with hair pin (item 2)



### Hydraulic angling

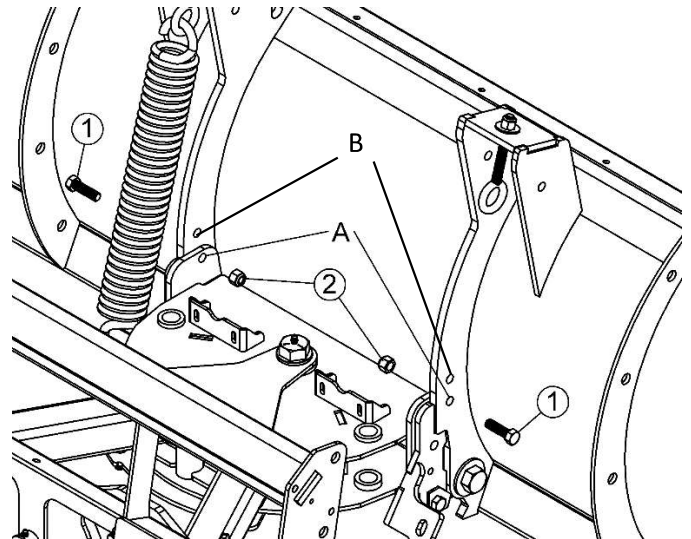
Using the tractor hydraulic control lever, move in one direction to rotate the blade then stop at the desired angle. If the direction is the opposite of the desired movement with the hydraulic lever, switch the hydraulic vehicle outlet..

## Blade tilt

### Unlocking blade tilt

When using the blade with snow, always unlock the tilt. When working with dirt always lock the tilt

- Raise the blade approx. 6" off the ground
- Shut down tractor see "shutdown vehicle" in operation section before dismounting from vehicle
- Put support under both end of the blade
- Remove bolt (item 1) and lock nut (item 2) from Hole A
- Reinstall bolt (item 1) and nut (item 2) in storage hole B



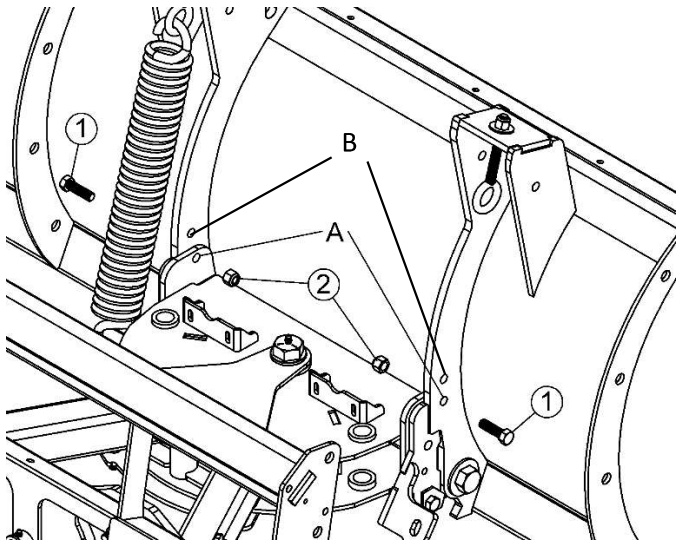
# Adjustments

## Locking the blade tilt

When using the blade with snow, always unlock the tilt.

When working with dirt always lock the tilt

- A. Raise the blade approx. 6" off the ground
- B. Shut down tractor see "shutdown vehicle" in operation section before dismounting from vehicle
- C. Put support under both end of the blade
- D. Remove bolt (item 1) and lock nut (item 2) from storage Hole B
- E. Reinstall bolt (item 1) and nut (item 2) in hole A



## Blade lateral float

### CAUTION

To avoid serious injury or death:

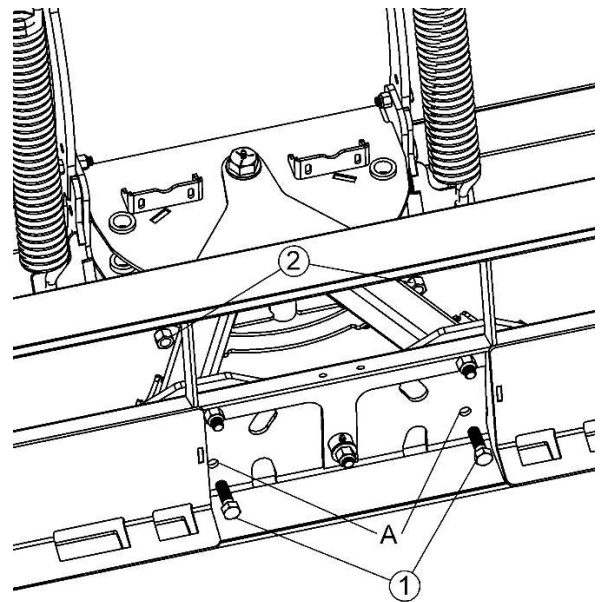
Always lock the lateral float when transporting, storing or working around. The blade can rotate at any time causing injury or damage.

### Unlocking the lateral float

Remove the two hex bolts (item 1) and nuts (item 2) from hole A

### Locking the lateral float

Install the two hex bolts (item 1) and nylon insert lock nuts (item 2) in hole A



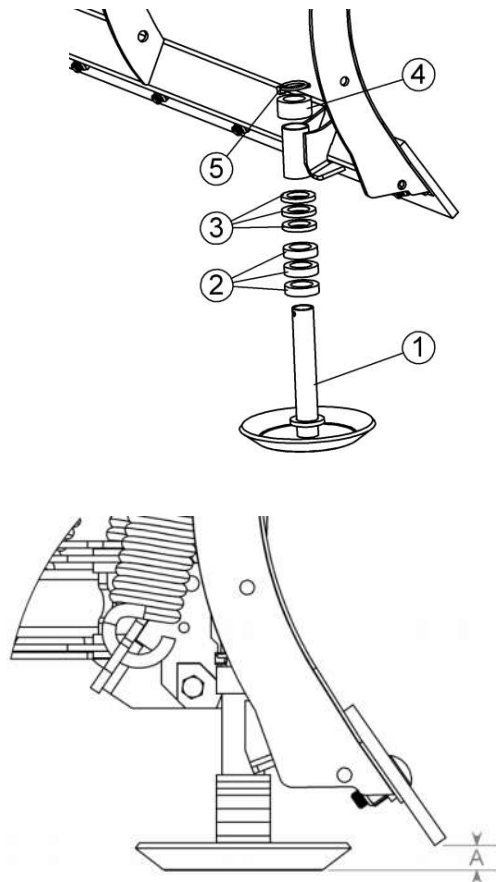
# Adjustments

## Blade skid shoe

- A. Place support under the cutting edge high enough to allow the removal of the skid shoe (item 1)
- B. Lower the blade until the blade is resting on the support block
- C. Shut down vehicle, see vehicle shutdown procedure in operation section
- D. Remove linch pin (#5) then adjust height of the skid shoe using the thin washer (item 3) or thick washer (item #2) then reinstall the linch pin

Make sur the adjustment is the same for both skid shoe.  
We recommend the following adjustment for dimensions A :

- For snow we recommend around  $\frac{1}{2}$ " between under the skid shoe to the cutting edge
- For dirt, skid shoe can be removed or adjusted completely upward

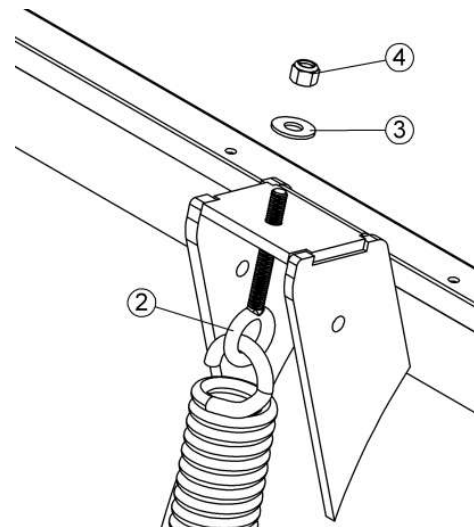


## Spring adjustment

### Assembly of the trip spring

Spring can become stretched over the use. If spring becomes loose, retighten using the nylon insert lock nut (item 4)

- D. Insert lower portion of the spring (item 1) in the slot on the push frame (item A). After install the higher portion of the spring in the eyebolt (item 2) as illustrated. Secure into place with the nylon insert lock nut  $\frac{1}{4}$  (item 4) and the washer  $\frac{9}{16}$ " (item 3) as illustrated. Finally extend the spring by 25mm ( $\frac{1}{2}$ " )

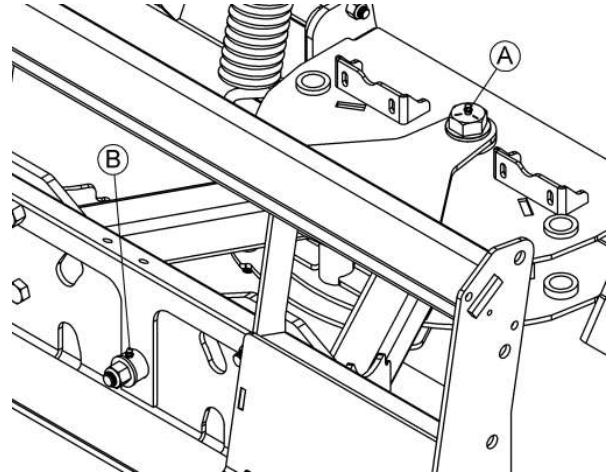


## Maintenance & Lubrication

### **WARNING**

To avoid serious injury or death :

- Always follow all safety precaution in the important safety information section of this manual.
- Follow all instructions and safety precautions in your vehicle manual and any other related accessory manual.
- Use jack and support blocks to support equipment when required. Carefully release pressure from equipment with stored energy.
- Replace parts on this accessory with genuine part only.
- Never work or walk under the accessory unless securely blocked. Otherwise accessory can fall.
- Never allow untrained personnel to service machine.



## Maintenance procedures

### Maintenance schedules

Before each use shutdown tractor (see shutdown vehicle in the operation section) before dismounting from vehicle.

- Make sure all bolts are still at proper location and tight
- Visually check for excessive wear and loose parts.
- Inspect all connections for leaks

Each 8hour of work

- Inspect the equipment for skid shoe wear
- Inspect for cutting edge wear

### Lubrication

2 zerks :

Lateral float (item B) and angling pivot (item C)

Each 24 hours or work

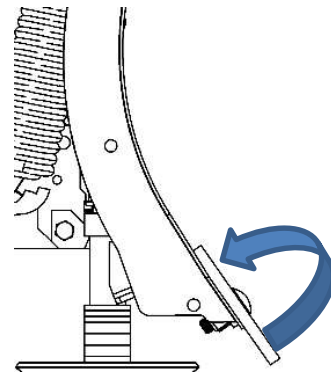
Type of lubricant: multipurpose grease

Quantity: 6 pumps.

### Steel cutting edge

When the steel cutting edge is worn out.

The cutting edge can be removed and installed upward to increase lifespan



## Troubleshooting

<b>Problem</b>	<b>Cause</b>	<b>Solution</b>
Blade flips too easily	Trip spring too loose	Tighten the trip spring (see adjustment section)
Quick connect does not fit properly	Hydraulic lines are pressurized	Relieve hydraulic pressure
	Wrong hydraulic coupler	Replace hydraulic coupler
Hydraulic angling uneven action	Air in the actuators or hoses	Purge the actuators and hoses
Hydraulic actuators do not hold the load	Cross over relief valve setting too low	Have the valve adjusted by qualified mechanic
Hydraulic actuators are too rigid	Cross over relief valve setting too high	Have the valve adjusted by qualified mechanic

# Storage and transportation

## Long-Term Storage

Follow unhooking instruction in the section “Accessory Hook-up and Unhook” of this manual.

- Clean the accessory
- Inspect the accessory for loose, damaged, missing, worn parts. Adjust and tighten loose parts. When needed replace parts with new one.
- Repaint parts where paint is missing or worn
- Replace all damaged or missing decals
- Lubricate all lubrication point see “Maintenance and lubrication” section
- Store accessory on a level surface in clean, dry place. Inside storage is preferable. Store where kids do not play.
- Check the stability of the accessory to make sure the unit will not tip easily in any direction (forward, backward,...). If required add support where needed to make sure the accessory will not overturn

## Transportation



### **WARNING**

**To avoid serious injury or death :**

When travelling on public roads, use SMV sign, clean reflectors, and any other device to alert other of your presence. Always comply with all federal, state/province and local laws

- A. If applicable, always disengage tractor PTO before raising accessory to transport position.
- B. Make sure that any part of the accessory does not contact any vehicle part when raising accessory to transport position.
- C. Travel at safe speed when transporting.
- D. Reduce tractor ground speed when turning and leave enough clearance so accessory does not contact obstacles such as buildings, trees, or fences. Turning at high speed can result in a roll over of the tractor.
- E. Transport the accessory low to the ground to have maintain vehicle stability and visibility as possible
- F. Keep away from electrical power lines
- G. Shift tractor to a lower gear when traveling over rough or hilly terrain.

# Specifications

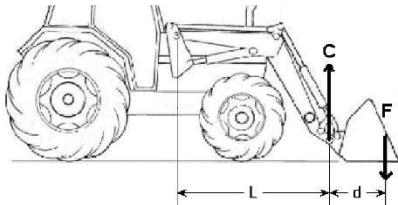
## Specifications

Specifications				
<b>Model number</b>	700861	700862	700863	700864
<b>Width</b>	1524mm (60")	1829mm (72")	2134mm (84")	2438mm (96")
<b>Blade depth</b>	7 1/8"	7 1/8"	7 1/8"	7 1/8"
<b>Weight with angling frame 700865 and skid steer quick attach 700870</b>	511 lbs	542 lbs	574 lbs	605 lbs
<b>Hydraulic angling option 700871 weight</b>	58 lbs	58 lbs	58 lbs	58 lbs
<b>Retractable side option weight 700869</b>	101 lbs	101 lbs	101 lbs	101 lbs
<b>Blade depth</b>	7 1/8"	7 1/8"	7 1/8"	7 1/8"
<b>HP range</b>	30-75hp	30-75hp	30-75hp	30-75hp
<b>Vehicle weight</b>	8000lbs max	8000lbs max	8000lbs max	8000lbs max
<b>Lift capacity at full height at pivot pin if installed on loader</b>	<ul style="list-style-type: none"> <li>without option 1000lbs</li> <li>with all options 1400lbs</li> </ul>	<ul style="list-style-type: none"> <li>without option 1000lbs</li> <li>with all options 1400lbs</li> </ul>	<ul style="list-style-type: none"> <li>without options 1200lbs</li> <li>with all options 1550lbs</li> </ul>	<ul style="list-style-type: none"> <li>without options 1200lbs</li> <li>with all options 1550lbs</li> </ul>
<b>See NOTE 1</b>				

### Note 1

For lift capacity at full height at pivot pin is installed on loader

If distance L is lower than 1016mm (40") contact us for calculation. The min lift capacity will be higher.



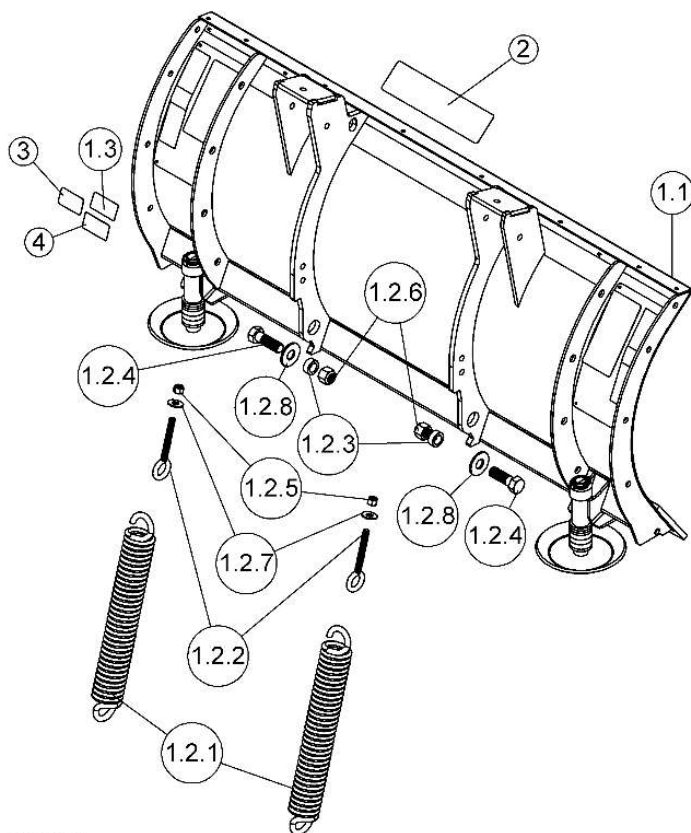
## **Part list and parts breakdown**

### **Main accessories**



## Part list and parts breakdown

NOMENCLATURE ET LISTE DES PIÈCES / PARTS BREAKDOWN & PART LIST				
Lame à neige 60" #700861MAH				
Snow blade 60" #700861MAH				
REF.	ENGLISH DESCRIPTION	DESCRIPTION FRANÇAISE	QTY.	PART#
1	Snow blade 60"	Lame à neige 60"	1	700861A
1.1	60" Blade assembly	Lame 60" assemblée	1	501409
1.2	Hardware bag	Sac de Quincaillerie	1	108928
1.2.1	Spring	Ressort	2	108835
1.2.2	Eye Bolt	Boulon à oeillet	2	108836
1.2.3	Sleeve	Douille	2	108952
1.2.4	Hex. bolt 7/8" n.c. x 2 3/4" GR5	Boulon hex. 7/8" n.c. x 2 3/4" GR5	2	O/L (300NC.5P_7-8x2-3-4)
1.2.5	Nylon Insert lock Nut 1/2" n.c.	Écrou à garniture de nylon 1/2" n.c.	2	O/L (335NC.P_1-2)
1.2.6	Nylon Insert lock Nut 7/8" n.c.	Écrou à garniture de nylon 7/8" n.c.	2	O/L (335NC.P_7-8)
1.2.7	Flat washer 9/16" hole	Rondelle plate 9/16" trou	2	O/L (360.P_9-16T)
1.2.8	Flat washer 15/16" hole	Rondelle plate 15/16" trou	2	O/L (360.P_15-16T)
1.3	Sequence number	Numéro de séquence	1	REF.
2	Mahindra Implement small decal	Décalque Mahindra Implement petit	1	106473
3	Made in Canada decal	Décalque Fabriqué au Canada	1	REF.
4	Serial number	Numéro de série	1	REF.



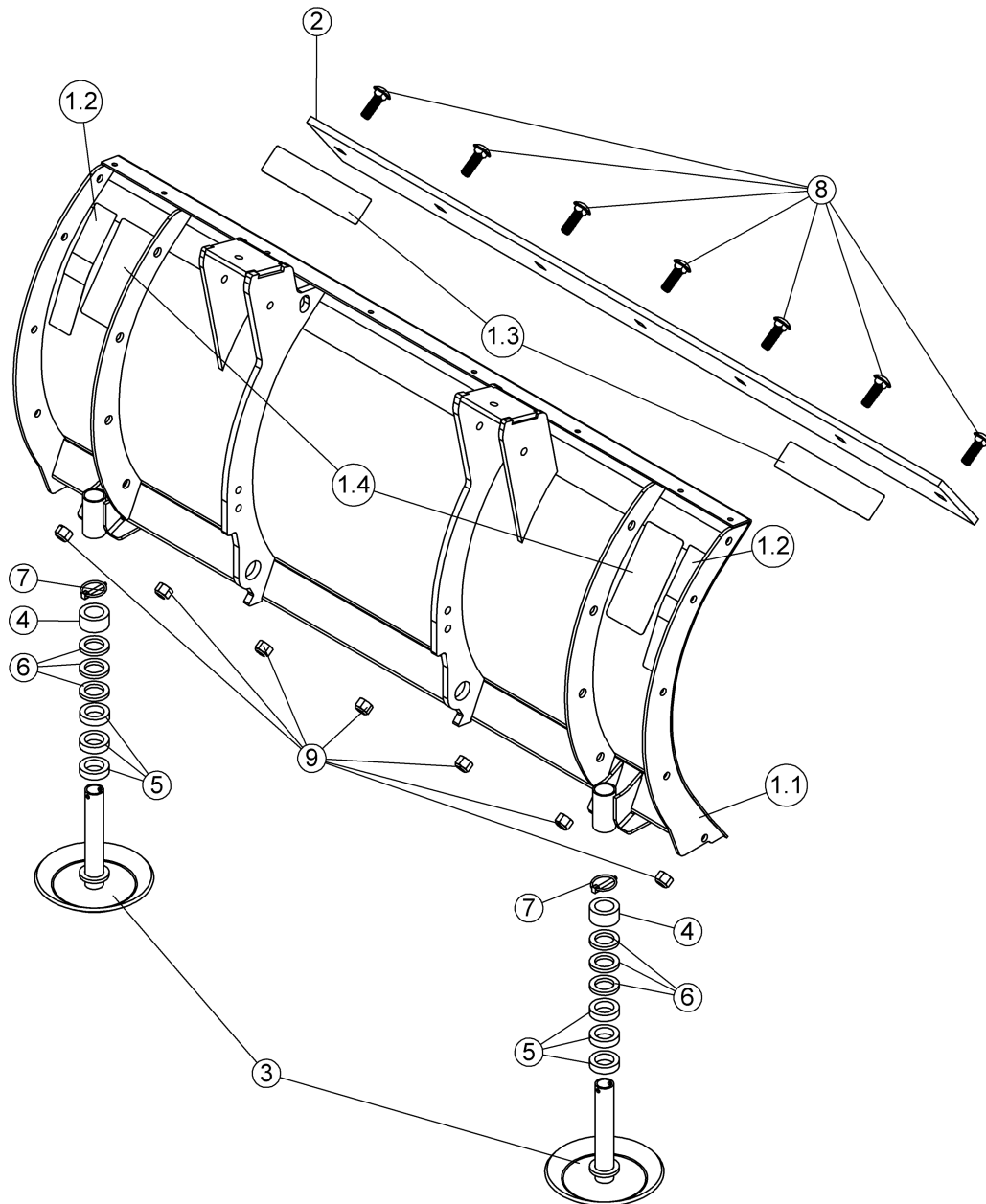
O/L = Obtain Locally / Obtenir localement

Part numbers starting with 500XXX are not available for sale, however, separate parts are available for sale individually.

Les numéros 500xxx ne sont pas disponibles pour la vente. Au besoin, veuillez commander les numéros de pièces séparément.

# Part list and parts breakdown

## NOMENCLATURE ET LISTE DES PIÈCES / PARTS BREAKDOWN & PART LIST Lame 60" assemblée #501409 60" Blade assembly #501409



## Part list and parts breakdown

<b>NOMENCLATURE ET LISTE DES PIÈCES / PARTS BREAKDOWN &amp; PART LIST</b> <b>Lame 60" assemblée #501409</b> <b>60" Blade assembly #501409</b>				
REF.	ENGLISH DESCRIPTION	DESCRIPTION FRANÇAISE	QTY.	PART#
1	60" Blade #108861 with safety decal	Lame 60" # 108861 a/ décalques de sécurité	1	108889
1.1	Blade 60"	Lame 60"	1	108861-E01
1.2	Red reflector decal	Décalque réflecteur rouge	2	108846
1.3	Yellow reflector decal	Décalque réflecteur jaune	2	108847
1.4	Vertical warning implement decal	Décalque avertissement accessoire vertical	2	107972
2	Cutting edge 60"	Racloir 60"	1	108879
3	Skid shoe	Patin	2	108825
4	Shim	Cale	2	108832
5	Shim	Cale	6	108833
6	Shim	Cale	6	108834
7	Lynch pin	Goupille à anneau	2	103919
8	Carriage bolt 3/8" n.c. x 2" GR5	Boulon à carrosserie 3/8" n.c. x 2" GR5	7	O/L (320NC.5P_5-8x2)
9	Nylon Insert lock Nut 5/8" n.c.	Écrou à garniture de nylon 5/8" n.c.	7	O/L (335NC.P_5-8)

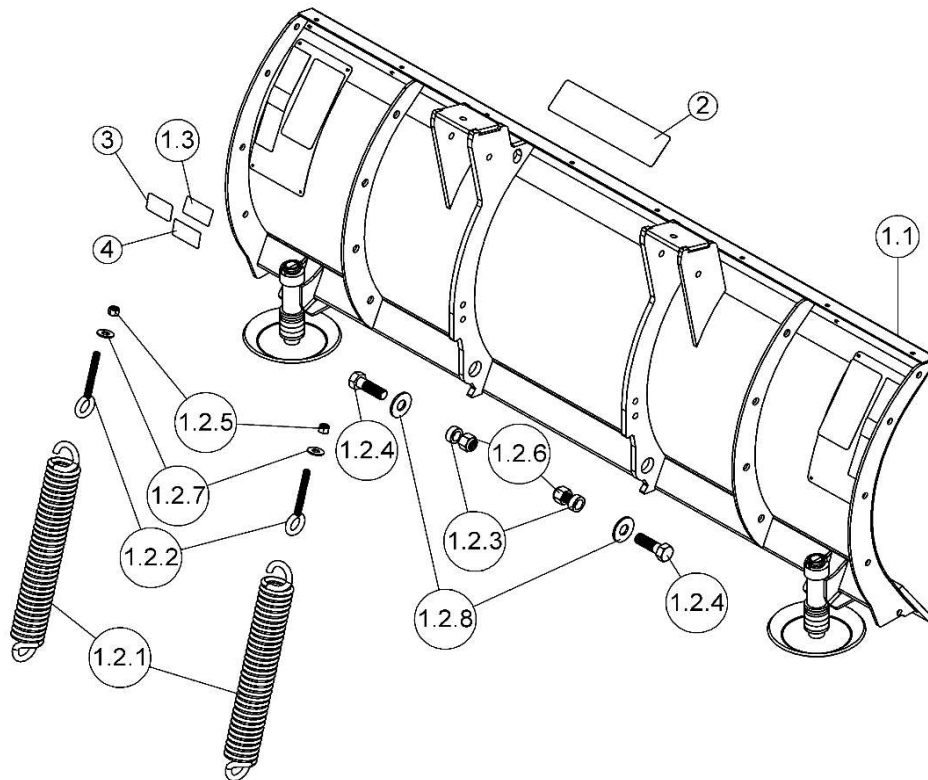
O/L = Obtain Locally / Obtenir localement

Part numbers starting with 500XXX are not available for sale, however, separate parts are available for sale individually.

Les numéros 500xxx ne sont pas disponibles pour la vente. Au besoin, veuillez commander les numéros de pièces séparément.

## Part list and parts breakdown

NOMENCLATURE ET LISTE DES PIÈCES / PARTS BREAKDOWN & PART LIST				
Lame à neige 72" #700862MAH				
Snow blade 72" #700862MAH				
REF.	ENGLISH DESCRIPTION	DESCRIPTION FRANÇAISE	QTY.	PART#
1	Snow blade 72"	Lame à neige 72"	1	700862A
1.1	72" Blade assembly	Lame 72" assemblée	1	501410
1.2	Hardware bag	Sac de Quincaillerie	1	108928
1.2.1	Spring	Ressort	2	108835
1.2.2	Eye Bolt	Boulon à oeillet	2	108836
1.2.3	Sleeve	Douille	2	108952
1.2.4	Hex. bolt 7/8" n.c. x 2 3/4" GR5	Boulon hex. 7/8" n.c. x 2 3/4" GR5	2	O/L (300NC.5P_7-8x2-3-4)
1.2.5	Nylon Insert lock Nut 1/2" n.c.	Écrou à garniture de nylon 1/2" n.c.	2	O/L (335NC.P_1-2)
1.2.6	Nylon Insert lock Nut 7/8" n.c.	Écrou à garniture de nylon 7/8" n.c.	2	O/L (335NC.P_7-8)
1.2.7	Flat washer 9/16" hole	Rondelle plate 9/16" trou	2	O/L (360.P_9-16T)
1.2.8	Flat washer 15/16" hole	Rondelle plate 15/16" trou	2	O/L (360.P_15-16T)
1.3	Sequence number	Numéro de séquence	1	REF.
2	Mahindra Implement small decal	Décalque Mahindra Implement petit	1	106473
3	Made in Canada decal	Décalque Fabriqué au Canada	1	REF.
4	Serial number	Numéro de série	1	REF.



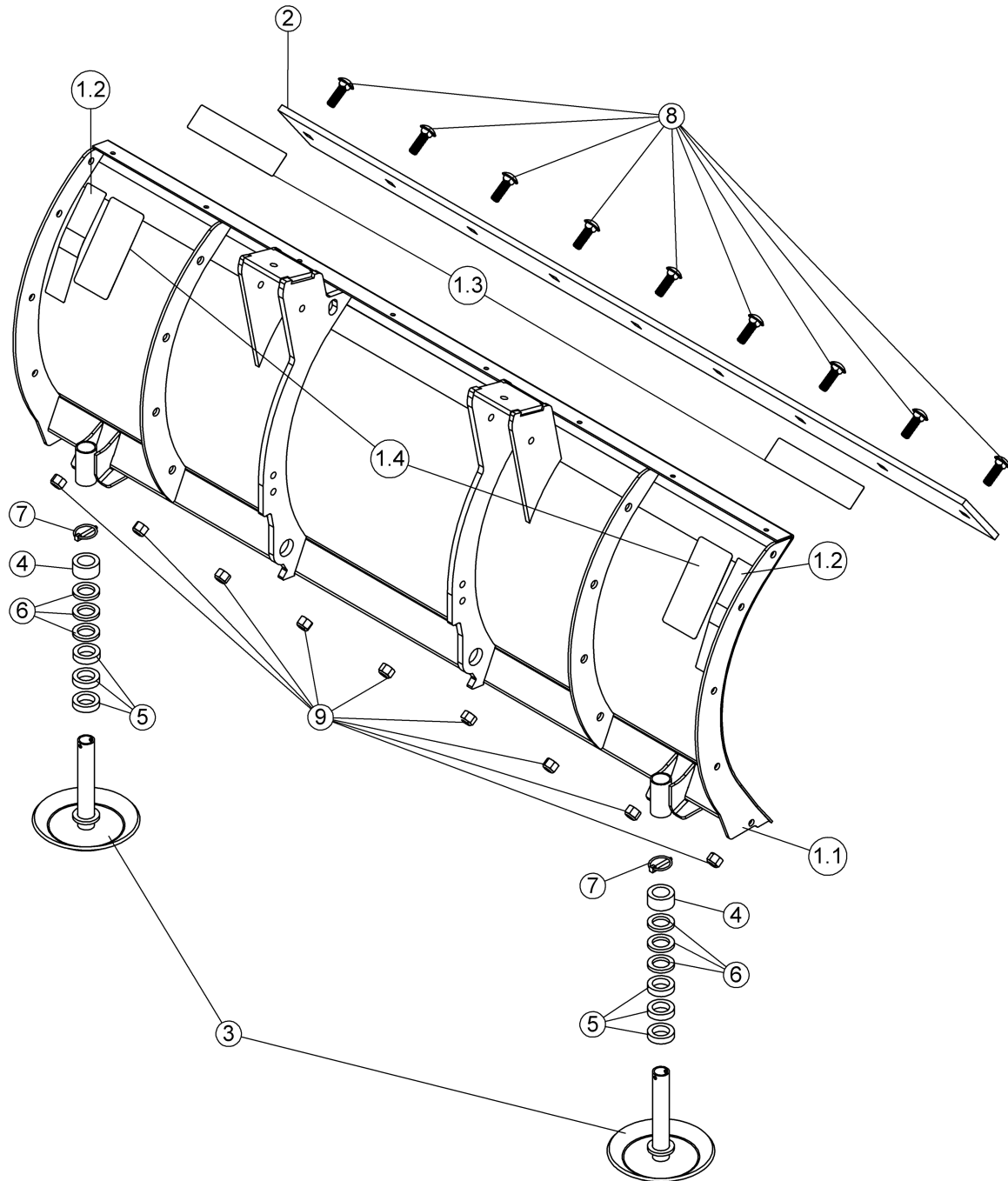
O/L = Obtain Locally / Obtenir localement

Part numbers starting with 500XXX are not available for sale, however, separate parts are available for sale individually.

Les numéros 500xxx ne sont pas disponibles pour la vente. Au besoin, veuillez commander les numéros de pièces séparément.

# Part list and parts breakdown

## NOMENCLATURE ET LISTE DES PIÈCES / PARTS BREAKDOWN & PART LIST Lame 72" assemblée #501410 72" Blade assembly #501410



## Part list and parts breakdown

<b>NOMENCLATURE ET LISTE DES PIÈCES / PARTS BREAKDOWN &amp; PART LIST</b> <b>Lame 72" assemblée #501410</b> <b>72" Blade assembly #501410</b>				
REF.	ENGLISH DESCRIPTION	DESCRIPTION FRANÇAISE	QTY.	PART#
1	72" Blade #108860 with safety decal	Lame 72" # 108860 a/ décalques de sécurité	1	108890
1.1	Blade 72"	Lame 72"	1	108860-E01
1.2	Red reflector decal	Décalque réflecteur rouge	2	108846
1.3	Yellow reflector decal	Décalque réflecteur jaune	2	108847
1.4	Vertical warning implement decal	Décalque avertissement accessoire vertical	2	107972
2	Cutting edge 72"	Racloir 72"	1	108878
3	Skid shoe	Patin	2	108825
4	Shim	Cale	2	108832
5	Shim	Cale	6	108833
6	Shim	Cale	6	108834
7	Lynch pin	Goupille à anneau	2	103919
8	Carriage bolt 3/8" n.c. x 2" GR5	Boulon à carrosserie 3/8" n.c. x 2" GR5	9	O/L (320NC.5P_5-8x2)
9	Nylon Insert lock Nut 5/8" n.c.	Écrou à garniture de nylon 5/8" n.c.	9	O/L (335NC.P_5-8)

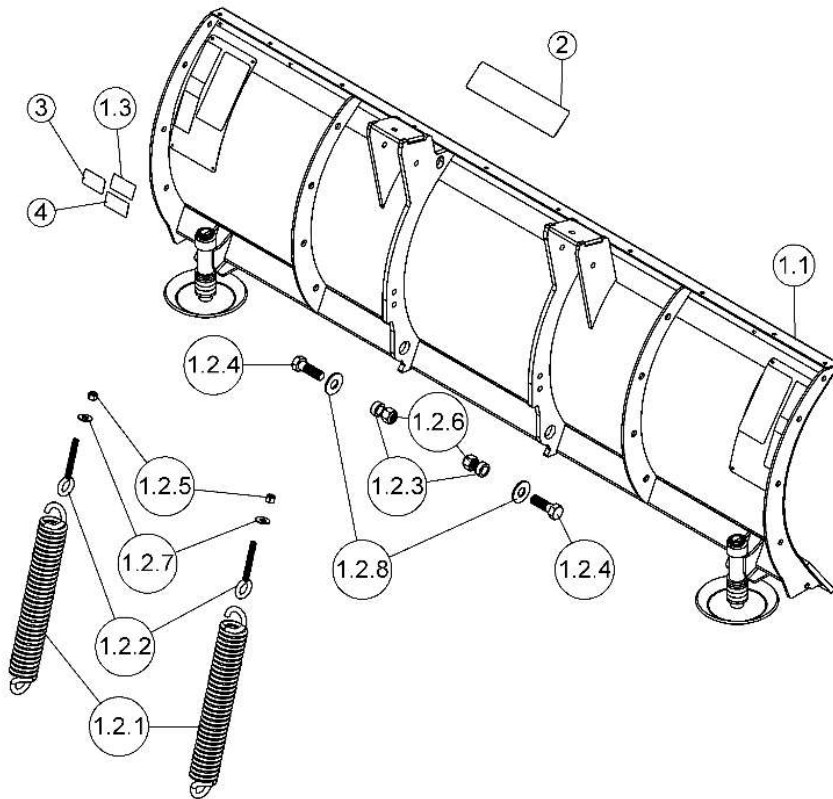
O/L = Obtain Locally / Obtenir localement

Part numbers starting with 500XXX are not available for sale, however, separate parts are available for sale individually.

Les numéros 500xxx ne sont pas disponibles pour la vente. Au besoin, veuillez commander les numéros de pièces séparément.

# Part list and parts breakdown

NOMENCLATURE ET LISTE DES PIÈCES / PARTS BREAKDOWN & PART LIST				
Lame à neige 84" #700863MAH				
Snow blade 84" #700863MAH				
REF.	ENGLISH DESCRIPTION	DESCRIPTION FRANÇAISE	QTY.	PART#
1	Snow blade 84"	Lame à neige 84"	1	700863A
1.1	84" Blade assembly	Lame 84" assemblée	1	501411
1.2	Hardware bag	Sac de Quincaillerie	1	108928
1.2.1	Spring	Ressort	2	108835
1.2.2	Eye Bolt	Boulon à oeuillet	2	108836
1.2.3	Sleeve	Douille	2	108952
1.2.4	Hex. bolt 7/8" n.c. x 2 3/4" GR5	Boulon hex. 7/8" n.c. x 2 3/4" GR5	2	O/L (300NC.5P_7-8x2-3-4)
1.2.5	Nylon Insert lock Nut 1/2" n.c.	Écrou à garniture de nylon 1/2" n.c.	2	O/L (335NC.P_1-2)
1.2.6	Nylon Insert lock Nut 7/8" n.c.	Écrou à garniture de nylon 7/8" n.c.	2	O/L (335NC.P_7-8)
1.2.7	Flat washer 9/16" hole	Rondelle plate 9/16" trou	2	O/L (360.P_9-16T)
1.2.8	Flat washer 15/16" hole	Rondelle plate 15/16" trou	2	O/L (360.P_15-16T)
1.3	Sequence number	Numéro de séquence	1	REF.
2	Mahindra Implement small decal	Décalque Mahindra Implement petit	1	106473
3	Made in Canada decal	Décalque Fabriqué au Canada	1	REF.
4	Serial number	Numéro de série	1	REF.



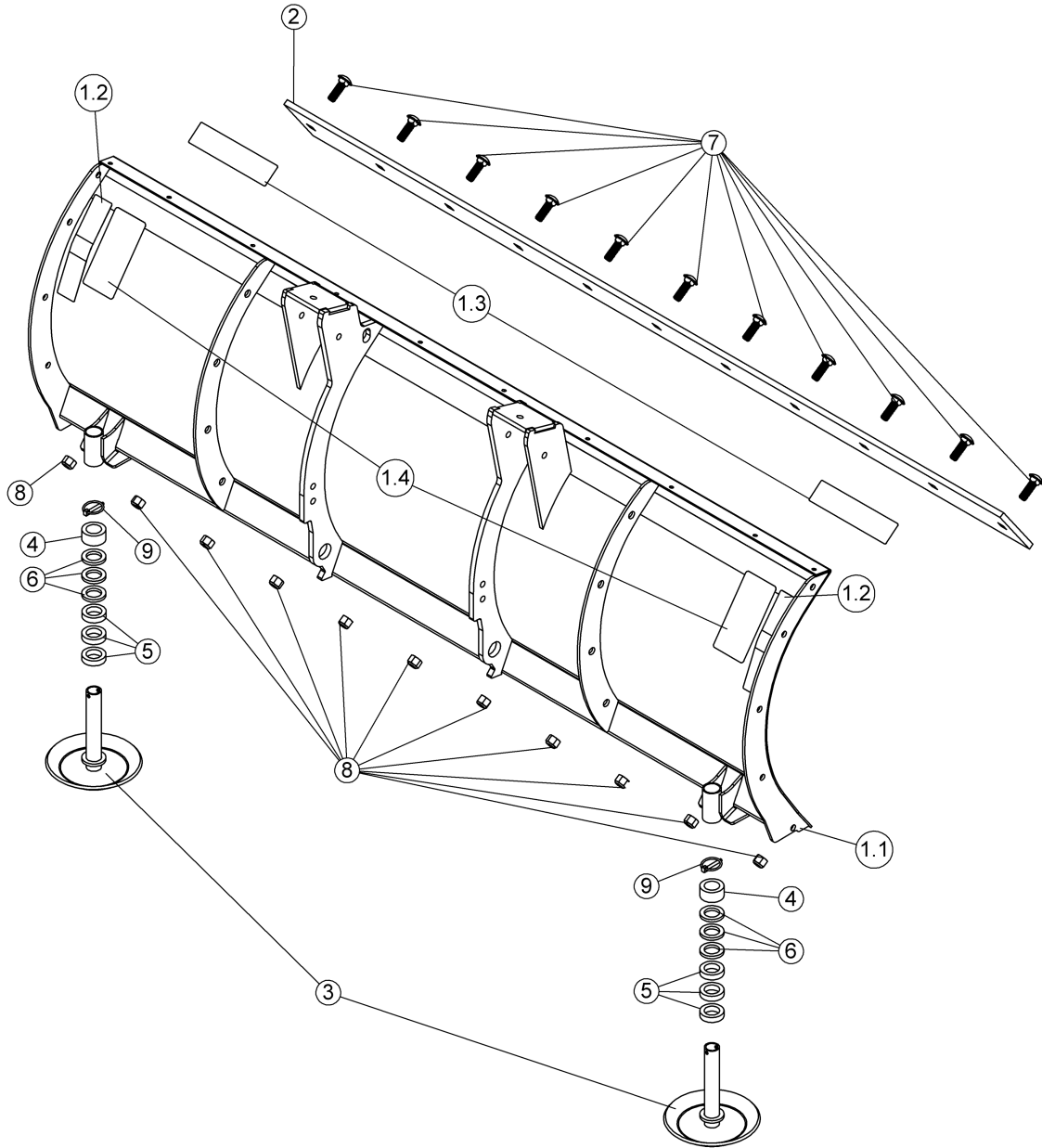
O/L = Obtain Locally / Obtenir localement

Part numbers starting with 500XXX are not available for sale, however, separate parts are available for sale individually.

Les numéros 500xxx ne sont pas disponibles pour la vente. Au besoin, veuillez commander les numéros de pièces séparément.

# Part list and parts breakdown

**NOMENCLATURE ET LISTE DES PIÈCES / PARTS BREAKDOWN & PART LIST**  
Lame 84" assemblée #501411  
84" Blade assembly #501411





## Part list and parts breakdown

<b>NOMENCLATURE ET LISTE DES PIÈCES / PARTS BREAKDOWN &amp; PART LIST</b> Lame 84" assemblée #501411 84" Blade assembly #501411				
REF.	ENGLISH DESCRIPTION	DESCRIPTION FRANÇAISE	QTY.	PART#
1	84" Blade #108859 with safety decal	Lame 84" # 108859 a/ décalques de sécurité	1	108891
1.1	Blade 84"	Lame 84"	1	108859-E01
1.2	Red reflector decal	Décalque réflecteur rouge	2	108846
1.3	Yellow reflector decal	Décalque réflecteur jaune	2	108847
1.4	Vertical warning implement decal	Décalque avertissement accessoire vertical	2	107972
2	Cutting edge 84"	Racloir 84"	1	108862
3	Skid shoe	Patin	2	108825
4	Shim	Cale	2	108832
5	Shim	Cale	6	108833
6	Shim	Cale	6	108834
7	Carriage bolt 3/8" n.c. x 2" GR5	Boulon à carrosserie 3/8" n.c. x 2" GR5	11	O/L (320NC.5P_5-8x2)
8	Nylon Insert lock Nut 5/8" n.c.	Écrou à garniture de nylon 5/8" n.c.	11	O/L (335NC.P_5-8)
9	Lynch pin	Goupille à anneau	2	103919

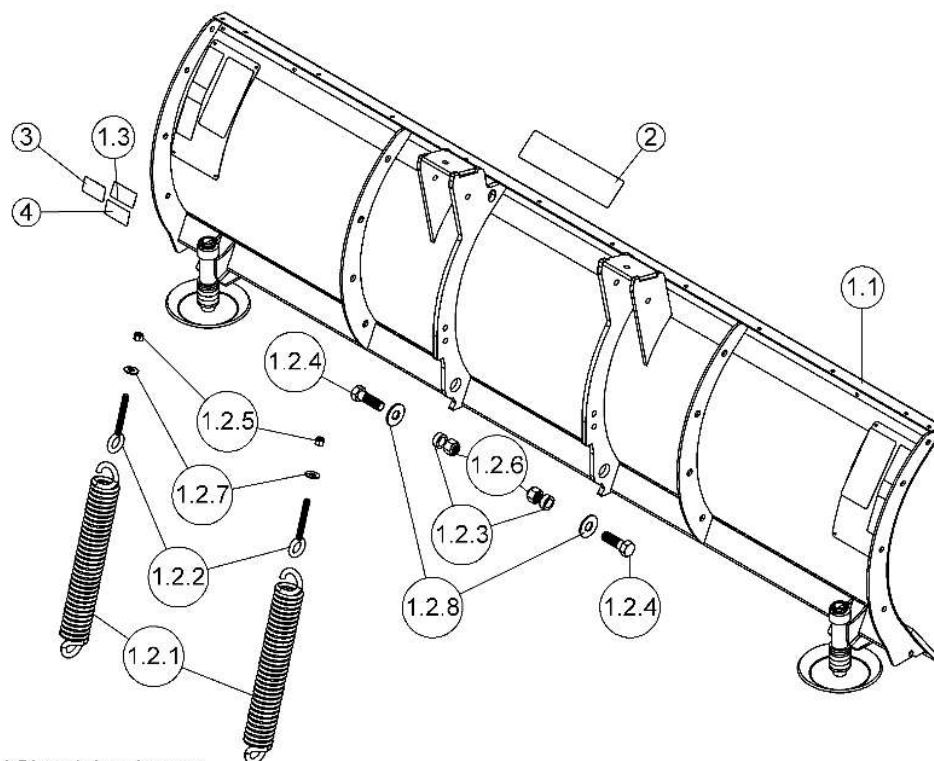
O/L = Obtain Locally / Obtenir localement

Part numbers starting with 500XXX are not available for sale, however, separate parts are available for sale individually.

Les numéros 500xxx ne sont pas disponibles pour la vente. Au besoin, veuillez commander les numéros de pièces séparément.

## Part list and parts breakdown

NOMENCLATURE ET LISTE DES PIÈCES / PARTS BREAKDOWN & PART LIST				
Lame à neige 96" #700864MAH				
Snow blade 96" #700864MAH				
REF.	ENGLISH DESCRIPTION	DESCRIPTION FRANÇAISE	QTY.	PART#
1	Snow blade 96"	Lame à neige 96"	1	700864A
1.1	Lame 96" assemblée	96" Blade assembly	1	501412
1.2	Hardware bag	Sac de Quincaillerie	1	108928
1.2.1	Spring	Ressort	2	108835
1.2.2	Eye Bolt	Boulon à oeillet	2	108836
1.2.3	Sleeve	Douille	2	108952
1.2.4	Hex. bolt 7/8" n.c. x 2 3/4" GR5	Boulon hex. 7/8" n.c. x 2 3/4" GR5	2	O/L (300NC.5P_7-8x2-3-4)
1.2.5	Nylon Insert lock Nut 1/2" n.c.	Écrou à garniture de nylon 1/2" n.c.	2	O/L (335NC.P_1-2)
1.2.6	Nylon Insert lock Nut 7/8" n.c.	Écrou à garniture de nylon 7/8" n.c.	2	O/L (335NC.P_7-8)
1.2.7	Flat washer 9/16" hole	Rondelle plate 9/16" trou	2	O/L (360.P_9-16T)
1.2.8	Flat washer 15/16" hole	Rondelle plate 15/16" trou	2	O/L (360.P_15-16T)
1.3	Sequence number	Numéro de séquence	1	REF.
2	Mahindra Implement small decal	Décalque Mahindra Implement petit	1	106473
3	Made in Canada decal	Décalque Fabriqué au Canada	1	REF.
4	Serial number	Numéro de série	1	REF.



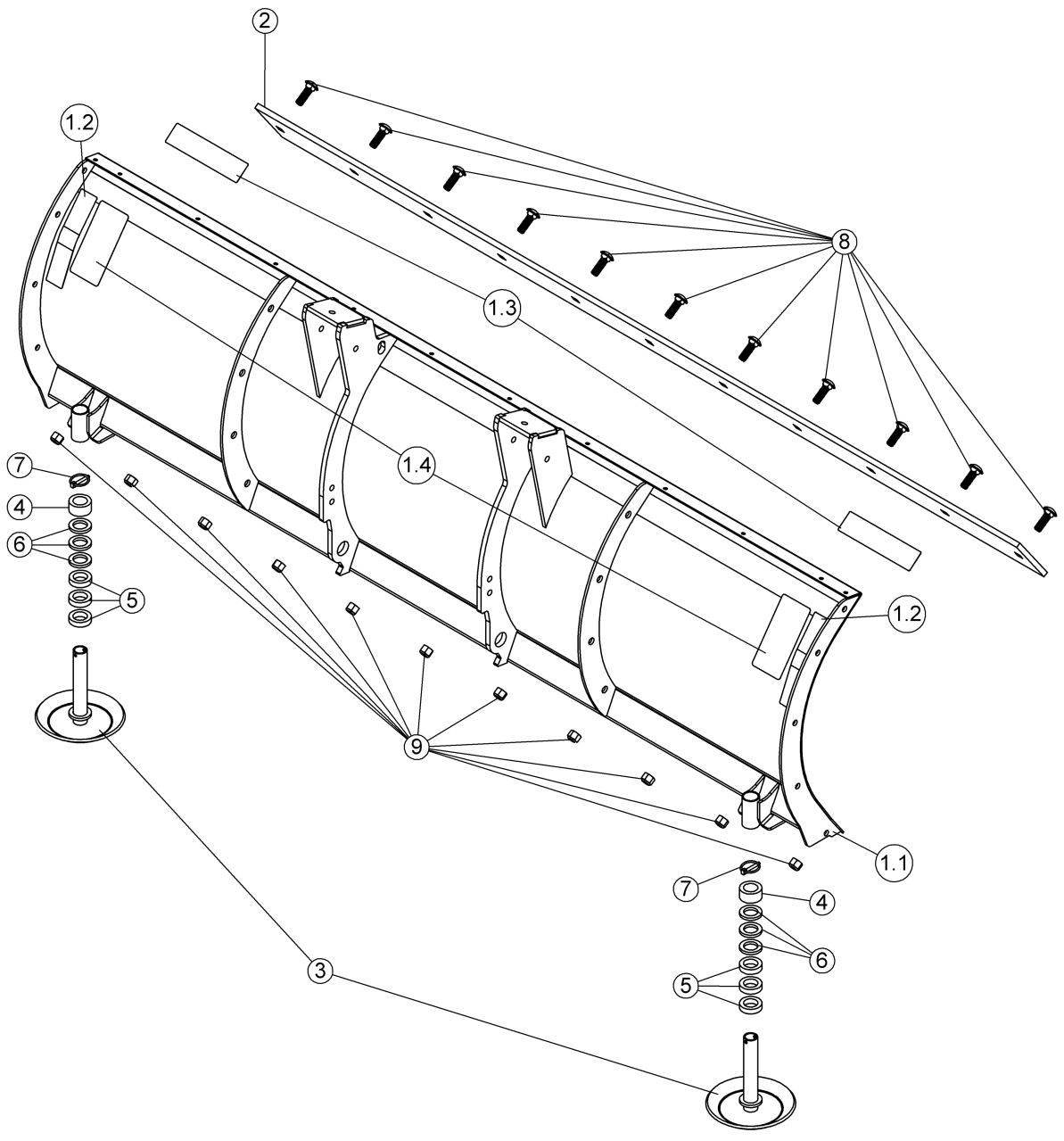
O/L = Obtain Locally / Obtenir localement

Part numbers starting with 500XXX are not available for sale, however, separate parts are available for sale individually.

Les numéros 500xxx ne sont pas disponibles pour la vente. Au besoin, veuillez commander les numéros de pièces séparément

# Part list and parts breakdown

**NOMENCLATURE ET LISTE DES PIÈCES / PARTS BREAKDOWN & PART LIST**  
96" Blade assembly #501412  
Lame 96" assemblée #501412



## Part list and parts breakdown

<b>NOMENCLATURE ET LISTE DES PIÈCES / PARTS BREAKDOWN &amp; PART LIST</b> <b>96" Blade assembly #501412</b> <b>Lame 96" assemblée #501412</b>				
REF.	ENGLISH DESCRIPTION	DESCRIPTION FRANÇAISE	QTY.	PART#
1	96" Blade #108823 with safety decal	Lame 96" # 108823 a/ décalques de sécurité	1	108892
1.1	Blade 96"	Lame 96"	1	108823-E01
1.2	Red reflector decal	Décalque réflecteur rouge	2	108846
1.3	Yellow reflector decal	Décalque réflecteur jaune	2	108847
1.4	Vertical warning implement decal	Décalque avertissement accessoire vertical	2	107972
2	Cutting edge 96"	Racloir 96"	1	108824
3	Skid shoe	Patin	2	108825
4	Shim	Cale	2	108832
5	Shim	Cale	6	108833
6	Shim	Cale	6	108834
7	Lynch pin	Goupille à anneau	2	103919
8	Carriage bolt 3/8" n.c. x 2" GR5	Boulon à carrosserie 3/8" n.c. x 2" GR5	11	O/L (320NC.5P_5-8x2)
9	Nylon Insert lock Nut 5/8" n.c.	Écrou à garniture de nylon 5/8" n.c.	11	O/L (335NC.P_5-8)

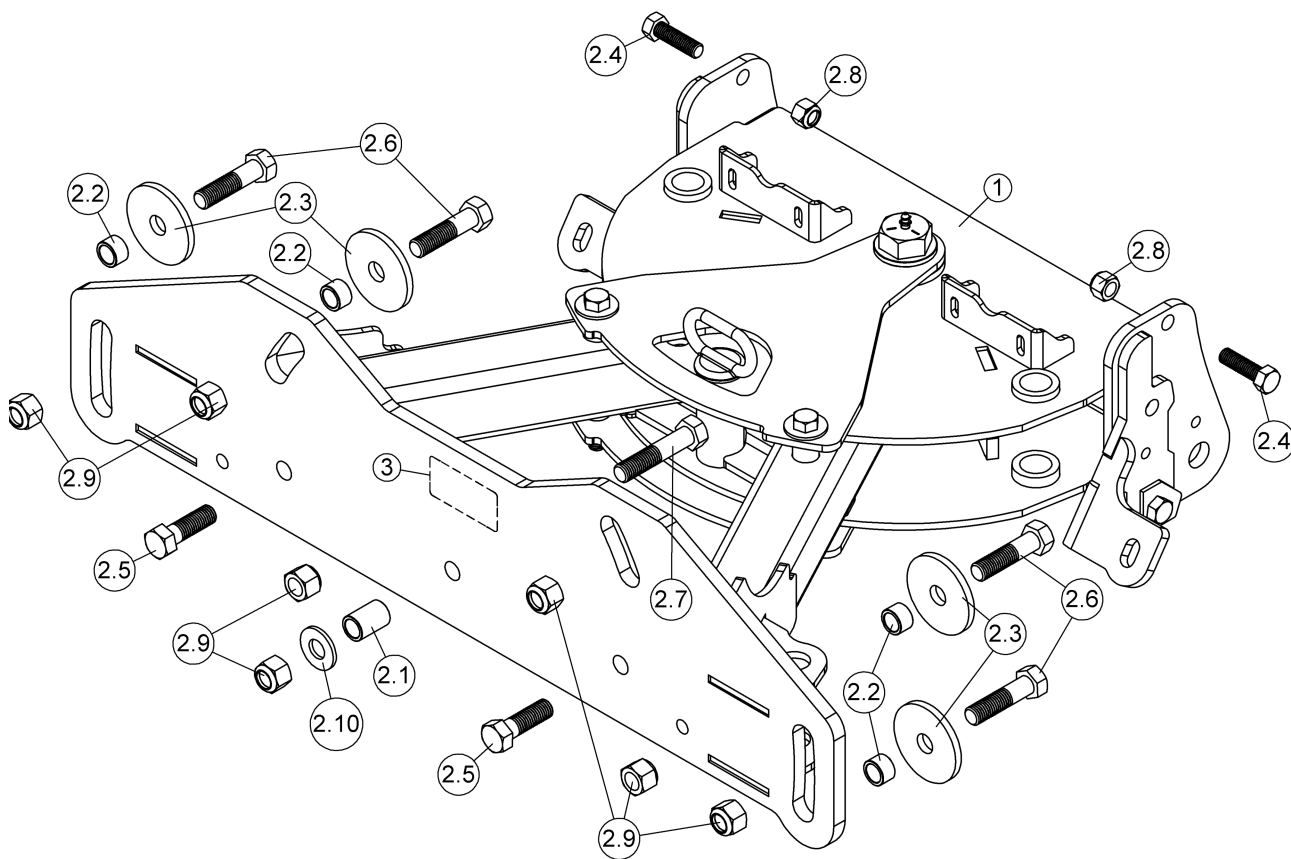
O/L = Obtain Locally / Obtenir localement

Part numbers starting with 500XXX are not available for sale, however, separate parts are available for sale individually.

Les numéros 500xxx ne sont pas disponibles pour la vente. Au besoin, veuillez commander les numéros de pièces séparément.

## Part list and parts breakdown

**NOMENCLATURE ET LISTE DES PIÈCES / PARTS BREAKDOWN & PART LIST**  
Châssis de poussée avec angulation pour lame #700865  
Angling push frame for blade #700865



O/L = Obtain Locally / Obtenir localement

Part numbers starting with 500XXX are not available for sale, however, separate parts are available for sale individually.

Les numéros 500xxx ne sont pas disponibles pour la vente. Au besoin, veuillez commander les numéros de pièces séparément.

## Part list and parts breakdown

<b>NOMENCLATURE ET LISTE DES PIÈCES / PARTS BREAKDOWN &amp; PART LIST</b> <b>Châssis de poussée avec angulation pour lame #700865</b> <b>Angling push frame for blade #700865</b>				
REF.	ENGLISH DESCRIPTION	DESCRIPTION FRANÇAISE	QTY.	PART#
1	Push Frame Assembly	Châssis Poussoir assemblé	1	501414
2	Hardware bag	Sac de Quincaillerie	1	108923
2.1	Sleeve	Douille	1	108819
2.2	Sleeve	Douille	4	108855
2.3	Washer	Rondelle	4	108858
2.4	Hex. bolt 1/2" n.c. x 1 3/4" GR5	Boulon hex. 1/2" n.c. x 1 3/4" GR5	2	O/L (300NC.5P_1-2x1-3-4)
2.5	Hex. bolt 5/8" n.c. x 2" GR5	Boulon hex 5/8" n.c. x 2" GR5	2	O/L (300NC.5P_5-8x2)
2.6	Hex. bolt 5/8" n.c. x 2 1/2" GR5	Boulon hex 5/8" n.c. x 2 1/2" GR5	4	O/L (300NC.5P_5-8x2-1-2)
2.7	Hex. bolt 5/8" n.c. x 3" GR5	Boulon hex 5/8" n.c. x 3" GR5	1	O/L (300NC.5P_5-8x3)
2.8	Nylon Insert lock Nut 1/2" n.c.	Écrou à garniture de nylon 1/2" n.c.	2	O/L (335NC.P_1-2)
2.9	Nylon Insert lock Nut 5/8" n.c.	Écrou à garniture de nylon 5/8" n.c.	7	O/L (335NC.P_5-8)
2.10	Flat washer 11/16" hole	Rondelle plate 11/16" trou	2	O/L (360.P_11-16T)
3	Model number	Numéro de modèle	1	REF.

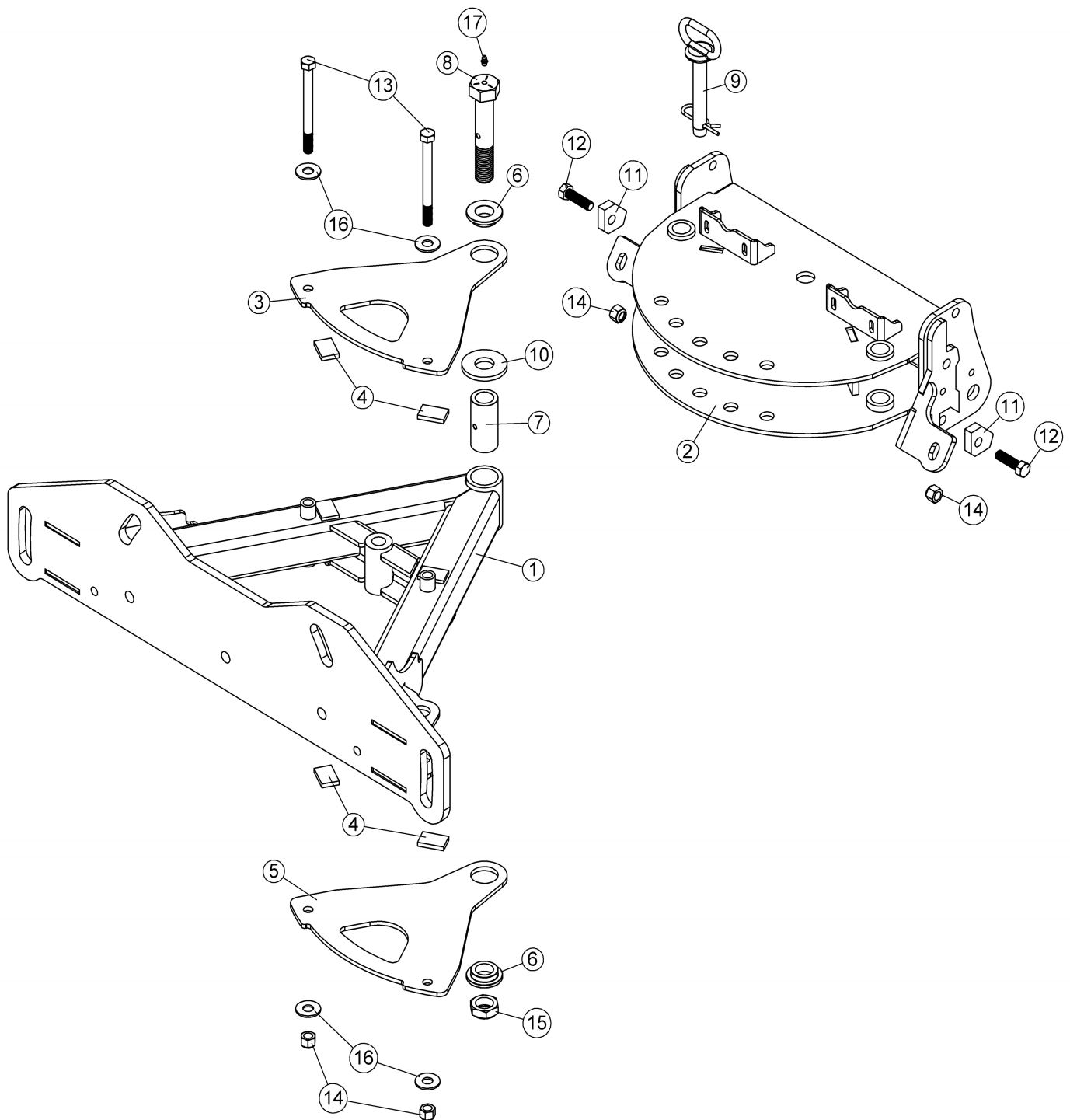
O/L = Obtain Locally / Obtenir localement

Part numbers starting with 500XXX are not available for sale, however, separate parts are available for sale individually.

Les numéros 500xxx ne sont pas disponibles pour la vente. Au besoin, veuillez commander les numéros de pièces séparément.

# Part list and parts breakdown

## NOMENCLATURE ET LISTE DES PIÈCES / PARTS BREAKDOWN & PART LIST Châssis Pousoir assemblé #501414 Push Frame Assembly #501414



O/L = Obtain Locally / Obtenir localement

Part numbers starting with 500XXX are not available for sale, however, separate parts are available for sale individually.

Les numéros 500xxx ne sont pas disponibles pour la vente. Au besoin, veuillez commander les numéros de pièces séparément.

## Part list and parts breakdown

<b>NOMENCLATURE ET LISTE DES PIÈCES / PARTS BREAKDOWN &amp; PART LIST</b> <b>Châssis Pousoir assemblé #501414</b> <b>Push Frame Assembly #501414</b>				
REF.	ENGLISH DESCRIPTION	DESCRIPTION FRANÇAISE	QTY.	PART#
1	Push frame	Châssis de poussée	1	108827
2	Attaching frame	Châssis d'attache	1	108828
3	Overlap plate	Plaque de recouvrement	1	108953
4	Sliding plate	Plaque de glissement	4	108954
5	Overlap plate	Plaque de recouvrement	1	108906
6	Flange washer	Rondelle à bride	2	108920
7	Sleeve	Douille	1	108921
8	Greasable Pin	Goupille graissable	1	108829
9	Pin with hair pin 4mm	Goupille avec goupille à ressort 4mm	1	106736
10	Spacer	Espaceur	1	108955
11	Stopper	Butée	2	108951
12	Hex. bolt 1/2" n.c. x 1 3/4" GR5	Boulon hex. 1/2" n.c. x 1 3/4" GR5	2	O/L (300NC.5P_1-2x1-3-4)
13	Hex. bolt 1/2" n.c. x 5 1/2" GR5	Boulon hex. 1/2" n.c. x 5 1/2" GR5	2	O/L (300NC.5P_1-2x5-1-2)
14	Nylon Insert lock Nut 1/2" n.c.	Écrou à garniture de nylon 1/2" n.c.	4	O/L (335NC.P_1-2)
15	Nylon insert lock nut 1" n.c. (thin)	Écrou à garniture de nylon 1" n.c. (mince)	1	O/L (336NC.P_1.)
16	Flat washer 9/16" hole	Rondelle plate 9/16" trou	4	O/L (360.P_9-16T)
17	Grease fitting 1/4" n.f.	Graisser 1/4" n.f.	1	O/L (370.Z_1-4-NF)

O/L = Obtain Locally / Obtenir localement

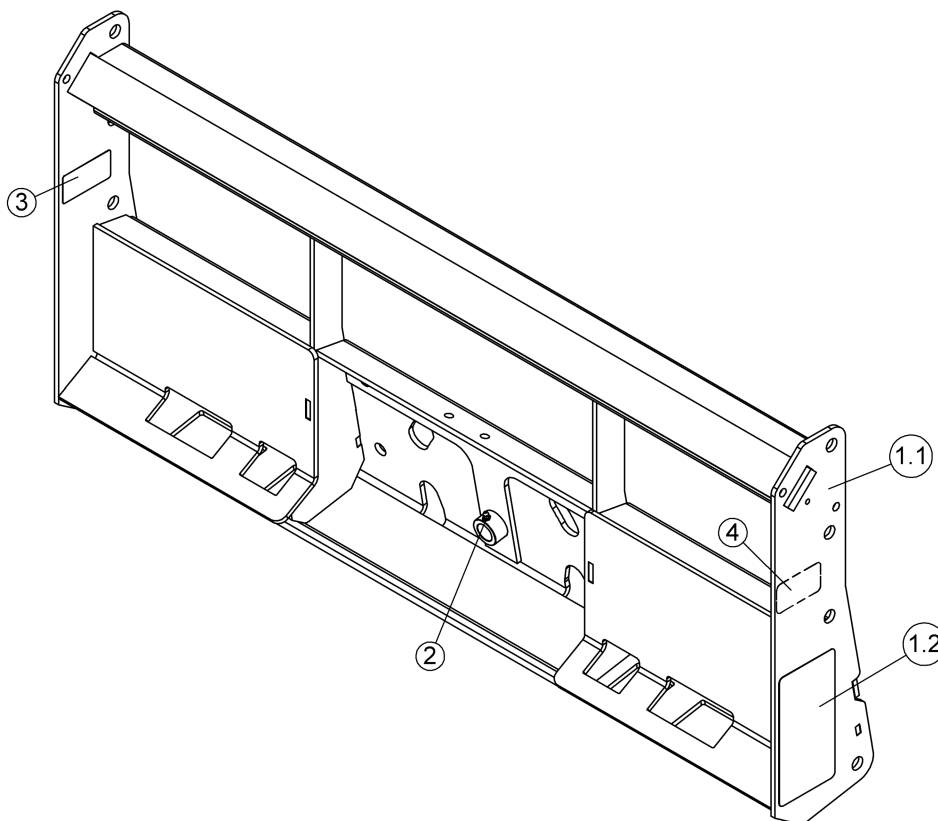
Part numbers starting with 500XXX are not available for sale, however, separate parts are available for sale individually.

Les numéros 500xxx ne sont pas disponibles pour la vente. Au besoin, veuillez commander les numéros de pièces séparément.



## Part list and parts breakdown

<b>NOMENCLATURE ET LISTE DES PIÈCES / PARTS BREAKDOWN &amp; PART LIST</b> Attache rapide style 'chargeur compact-skid steer' #700870 Quick attach skid steer style #700870				
REF.	ENGLISH DESCRIPTION	DESCRIPTION FRANÇAISE	QTY.	PART#
1	Quick attach frame #108815 w/ safety decals	Châssis de l'attache rapide #108815 a/ déc. de séc.	1	108818
1.1	Quick attach frame	Châssis de l'attache rapide	1	108815
1.2	Vertical warning implement decal	Décalque avertissement accessoire vertical	2	107972
2	Grease fitting 1/4" n.f.	Graisser 1/4" n.f.	1	O/L (370.Z_1-4-NF)
3	Serial number	Numéro de série	1	REF.
4	Made in Canada decal	Décalque Fabriqué au Canada	1	REF.



O/L = Obtain Locally / Obtenir localement

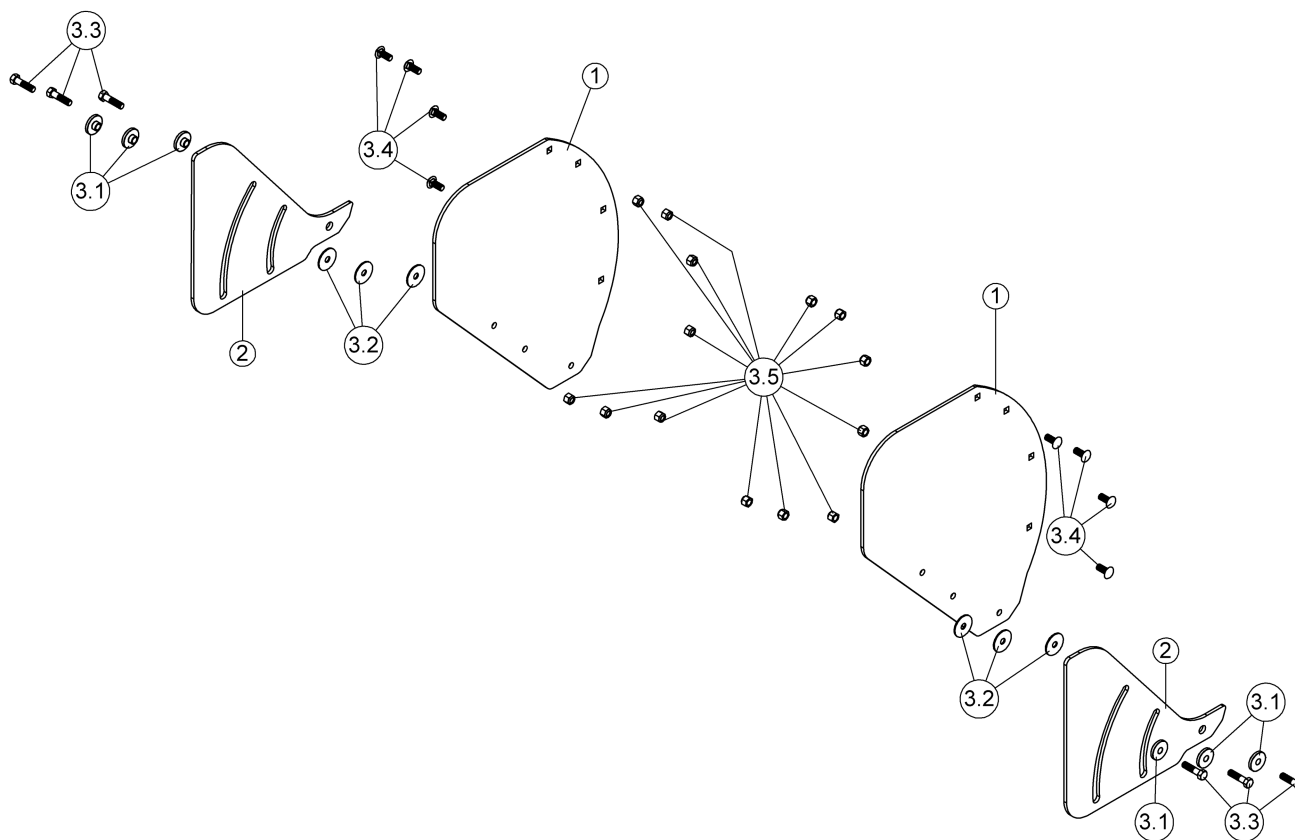
Part numbers starting with 500XXX are not available for sale, however, separate parts are available for sale individually.

Les numéros 500xxx ne sont pas disponibles pour la vente. Au besoin, veuillez commander les numéros de pièces séparément.

## **Options**

## Part list and parts breakdown

NOMENCLATURE ET LISTE DES PIÈCES / PARTS BREAKDOWN & PART LIST				
Côté de lame retractable (ens. De 2) #700869				
Retractable side blade kit (set of 2) #700869				
REF.	ENGLISH DESCRIPTION	DESCRIPTION FRANÇAISE	QTY.	PART#
1	Side Panel	Panneau latéral	2	108837
2	Pivoting Side Panel	Panneau latéral pivotant	2	108838
3	Hardware bag	Sac de Quincaillerie	1	108898
3.1	Sleeve	Douille	6	108845
3.2	Spacer	Espaceur	6	108851
3.3	Hex. bolt 1/2" n.c. x 2" GR5	Boulon hex. 1/2" n.c. x 2" GR5	6	O/L (300NC.5P_1-2x2)
3.4	Carriage bolt 1/2" n.c. x 1 1/4" GR5	Boulon à carrosserie 1/2" n.c. x 1 1/4" GR5	8	O/L (320NC.5P_1-2x1-1-4)
3.5	Nylon Insert lock Nut 1/2" n.c.	Écrou à garniture de nylon 1/2" n.c.	14	O/L (335NC.P_1-2)



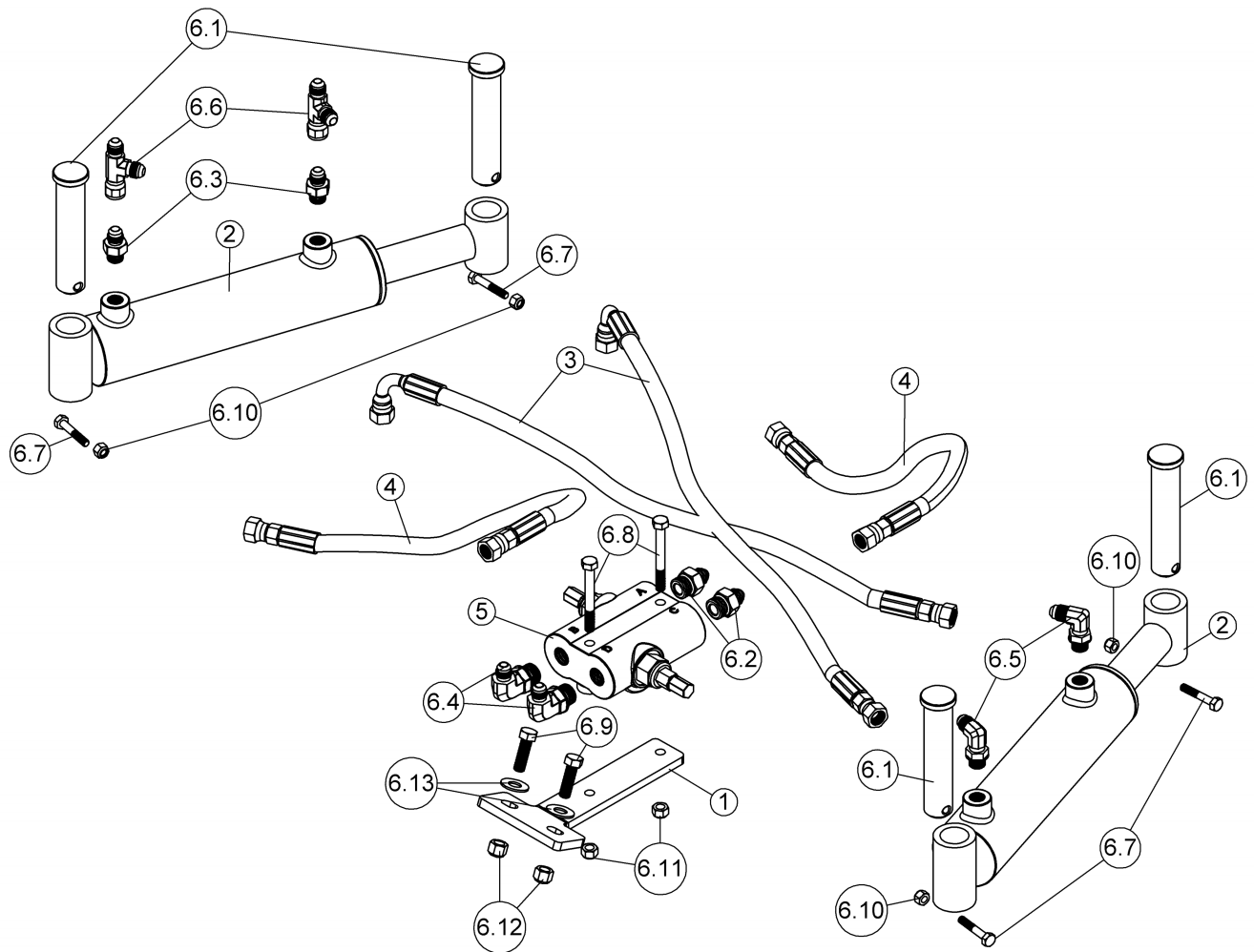
O/L = Obtain Locally / Obtenir localement

Part numbers starting with 500XXX are not available for sale, however, separate parts are available for sale individually.

Les numéros 500xxx ne sont pas disponibles pour la vente. Au besoin, veuillez commander les numéros de pièces séparément.

# Part list and parts breakdown

## NOMENCLATURE ET LISTE DES PIÈCES / PARTS BREAKDOWN & PART LIST Ensemble d'angulation hydraulique #700871 Hydraulic angling kit #700871



O/L = Obtain Locally / Obtenir localement

Part numbers starting with 500XXX are not available for sale, however, separate parts are available for sale individually.

Les numéros 500xxx ne sont pas disponibles pour la vente. Au besoin, veuillez commander les numéros de pièces séparément.

## Part list and parts breakdown

<b>NOMENCLATURE ET LISTE DES PIÈCES / PARTS BREAKDOWN &amp; PART LIST</b> Ensemble d'angulation hydraulique #700871 Hydraulic angling kit #700871				
REF.	ENGLISH DESCRIPTION	DESCRIPTION FRANÇAISE	QTY.	PART#
1	Support	Support	1	108839
2	Cylinder	Vérin	2	108854
3	Hydraulic hose	Flexible hydraulique	2	108842
4	Hydraulic hose	Flexible hydraulique	2	108843
5	Crossover relief valve	Soupape de sûreté	1	108853bonne
6	Hardware bag	Sac de Quincaillerie	1	108904
6.1	Pin	Goupille	4	108840
6.2	Adapter	Adaptateur	2	108852
6.3	Adapter	Adaptateur	2	103853
6.4	Adapter	Adaptateur	2	103861
6.5	Adapter	Adaptateur	2	103862
6.6	Adapter	Adaptateur	2	103863
6.7	Hex. bolt 1/4" n.c. x 1 1/2" GR5	Boulon hex. 1/4" n.c. x 1 1/2" GR5	4	O/L (300NC.5P_1-4x1-1-2)
6.8	Hex. bolt 5/16" n.c. x 2 3/4" GR5	Boulon hex. 5/16" n.c. x 2 3/4" GR5	2	O/L (300NC.5P_5-16x2-3-4)
6.9	Hex. bolt 3/8" n.c. x 1 1/4" GR5	Boulon hex. 3/8" n.c. x 1 1/4" GR5	2	O/L (300NC.5P_3-8x1-1-4)
6.10	Nylon Insert lock Nut 1/4" n.c.	Écrou à garniture de nylon 1/4" n.c.	4	O/L (335NC.P_1-4)
6.11	Nylon Insert lock Nut 5/16" n.c. GR5	Écrou à garniture de nylon 5/16" n.c. GR5	2	O/L (335NC.P_5-16)
6.12	Nylon Insert Lock Nut 3/8" n.c.	Écrou à garniture de nylon 3/8" n.c.	2	O/L (335NC.P_3-8)
6.13	Flat washer 7/16" hole	Rondelle plate 7/16" trou	2	O/L (360.P_7-16T)

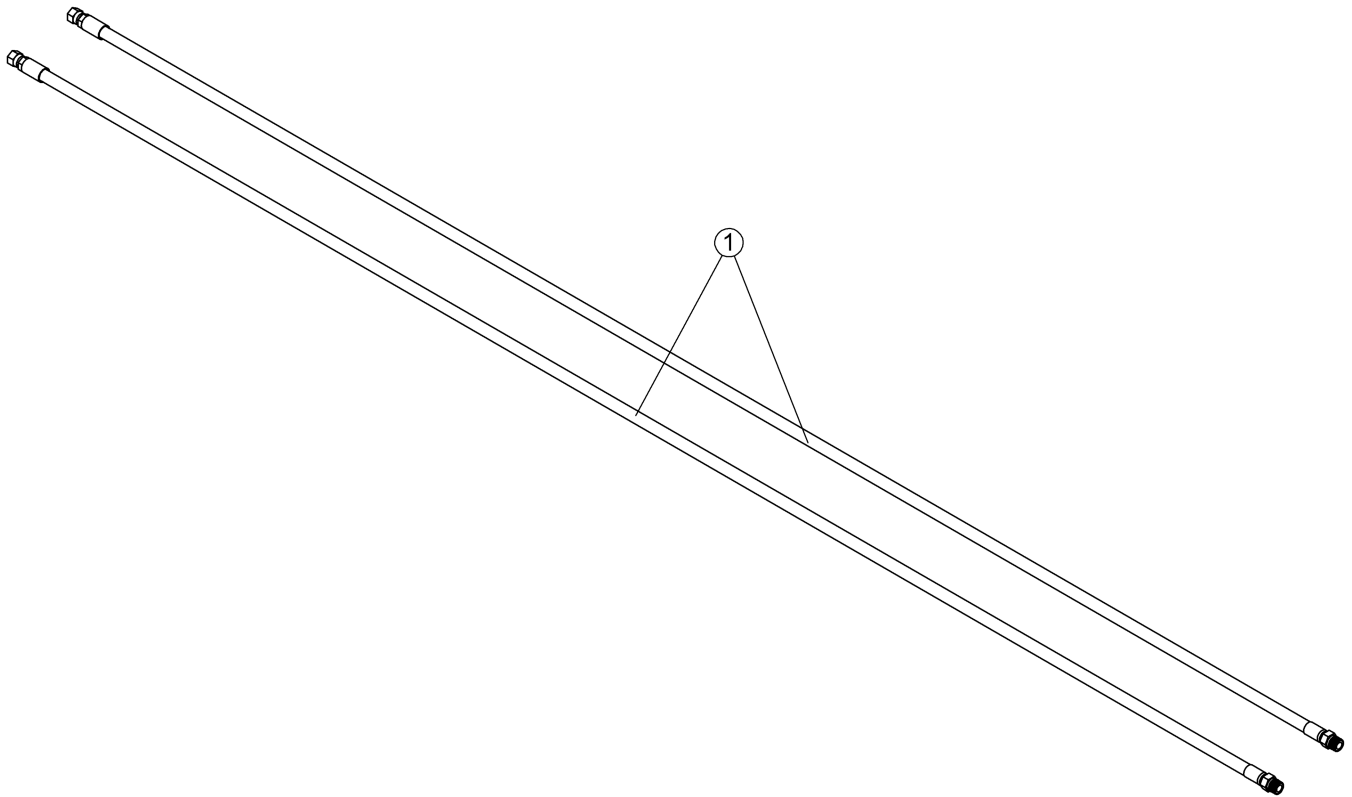
O/L = Obtain Locally / Obtenir localement

Part numbers starting with 500XXX are not available for sale, however, separate parts are available for sale individually.

Les numéros 500xxx ne sont pas disponibles pour la vente. Au besoin, veuillez commander les numéros de pièces séparément.

## Part list and parts breakdown

<b>NOMENCLATURE ET LISTE DES PIÈCES / PARTS BREAKDOWN &amp; PART LIST</b>				
Ens. Boyaux régulier SS #700872				
Regular hose kit SS #700872				
REF.	ENGLISH DESCRIPTION	DESCRIPTION FRANÇAISE	QTY.	PART#
1	Hydraulic hose	Flexible hydraulique	2	108844



O/L = Obtain Locally / Obtenir localement

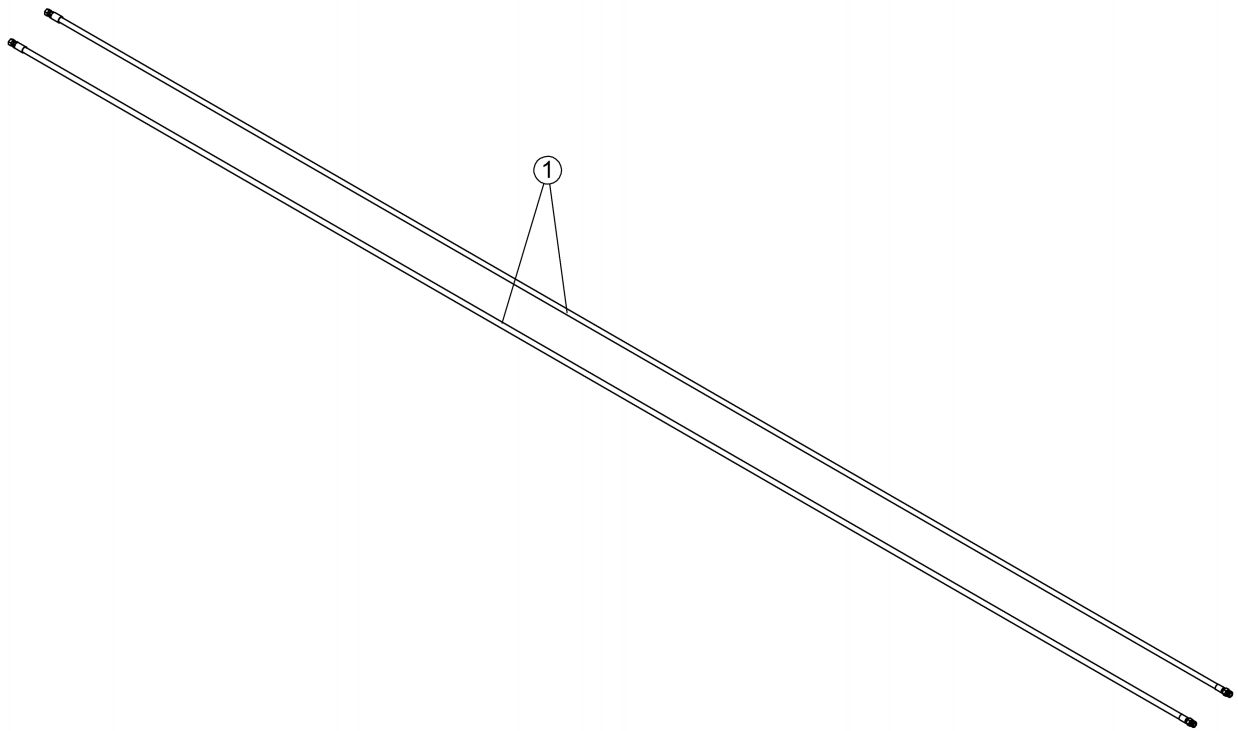
Part numbers starting with 500XXX are not available for sale, however, separate parts are available for sale individually.

Les numéros 500xxx ne sont pas disponibles pour la vente. Au besoin, veuillez commander les numéros de pièces séparément.

# Part list and parts breakdown

---

NOMENCLATURE ET LISTE DES PIÈCES / PARTS BREAKDOWN & PART LIST				
Ens. Boyaux longs SS #700873				
Long hose kit SS #700873				
REF.	ENGLISH DESCRIPTION	DESCRIPTION FRANÇAISE	QTY.	PART#
1	Hydraulic hose	Flexible hydraulique	2	108841



O/L = Obtain Locally / Obtenir localement




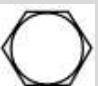


Part numbers starting with 500XXX are not available for sale, however, separate parts are available for sale individually.







Les numéros 500xxx ne sont pas disponibles pour la vente. Au besoin, veuillez commander les numéros de pièces séparément.

# Torque specification table

## Torque specification table

- The following table show the minimum torque requirement
- Maximum is 15% more than the minimum (example: min100 Nm -> max is 115Nm)
- If specific thread is not specified in the partlist or manuel, the bolt thread is coarse
- N m = Newton x meter
- Ft-lb = foot pounds

IMPERIAL THREAD														
Nominal Thread Diameter	Thread / inch	UNC						UNF						
		Grade 2		Grade 5		Grade 8		Grade 2		Grade 5		Grade 8		
								N m	Fl-lb	N m	Fl-lb	N m	Fl-lb	
1/4"	20	7.4	5.6	11	8	16	12	28	8.5	6	13	10	18	14
5/16"	18	15	11	24	17	33	25	24	17	13	26	19	37	27
3/8"	16	27	20	42	31	59	44	24	31	22	47	35	67	49
7/16"	14	43	32	67	49	95	70	20	49	36	75	55	105	78
1/2"	13	66	49	105	76	145	105	20	75	55	115	85	165	120
9/16	12	95	70	150	110	210	155	18	105	79	165	120	235	170
5/8	11	130	97	205	150	285	210	18	150	110	230	170	325	240
3/4	10	235	170	360	265	510	375	16	260	190	405	295	570	420
7/8	9	225	165	585	430	820	605	14	250	185	640	475	905	670
1	8	340	250	875	645	1230	910	12	370	275	955	705	1350	995
1-1/8	7	480	355	1080	795	1750	1290	12	540	395	1210	890	1960	1440
1-1/4	7	680	500	1520	1120	2460	1820	12	750	555	1680	1240	2730	2010
1-3/8	6	890	655	1990	1470	3230	2380	12	1010	745	2270	1670	3680	2710

METRIC THREAD													
Nominal Thread Diameter	Pitch (mm)	COARSE THREAD						FINE THREAD					
		Class 5.8		Class 8.8		Class 10.9		Class 5.8		Class 8.8		Class 10.9	
								N m	Fl-lb	N m	Fl-lb	N m	Fl-lb
M5	0.8	4	3	6	5	9	7	-	-	-	-	-	-
M6	1	7	5	11	8	15	11	-	-	-	-	-	-
M8	1.25	17	12	26	19	36	27	1	18	13	28	21	39
M10	1.5	33	24	52	39	72	53	0.75	39	29	61	45	85
M12	1.75	58	42	89	67	125	93	1.25	58	42	95	70	135
M14	2	92	68	145	105	200	150	1.5	99	73	155	115	215
M16	2	145	105	225	165	315	230	1.5	155	115	240	180	335
M18	2.5	195	145	310	230	405	300	1.5	220	165	350	260	485
M20	2.5	280	205	440	325	610	450	1.5	310	230	650	480	900
M24	3	480	355	760	560	1050	780	2	525	390	830	610	1150
M30	3.5	960	705	1510	1120	2100	1550	2	1060	785	1680	1240	2320



# LIMITED WARRANTY

## Conditions and Products Covered:

BERCOMAC guarantees any part of the product or accessory manufactured by BERCOMAC and found in the reasonable judgment of BERCOMAC to be defective in material and or workmanship will be repaired or replaced by an authorized dealer without charge up to our maximum labor rates and pre-established times. For replacement parts only standard ground freight services are covered. This warranty extends to the original retail purchaser only and is not transferable to any subsequent purchasers. This warranty applies to the products bought and used in North America.

## Warranty Period

(from date of the original retail purchase)

- Residential or semi-commercial use: 1 year
- Commercial, industrial or rental use: 90 days

**Exceptions Noted Below;** the following items are guaranteed by the original manufacturer and have their own warranty, conditions and limited time:

- Tire Chains:
  - 90 days residential or semi-commercial use
  - No warranty on other application
- Engines: Will vary as per the manufacturer  
Please refer to the engine manufacturer's warranty statement included with the unit. BERCOMAC is not authorized to handle warranty adjustments on engines.

## Items and Conditions NOT Covered:

This warranty does not cover the following:

- Pick-up or delivery charges or in-home services fees.
- Any damage or deterioration of the unit, parts and or finish of these due to normal use, wear and tear, or exposure.
- Cost of regular use or maintenance service or parts, such as gas, oil, lubricants, tune-up parts, and adjustments.
- Any part or accessory which has been altered, modified, misused, neglected, accidentally damaged or not properly installed, maintained, stored or repaired not in accordance with the instructions in the owner's manual.
- Repair due to normal wear and or any wear items such as shear pins, bolts, belts, winch cable, cutting edge, skid shoes, etc.
- Expedited freight fee services for replacement parts.
- Shear bolts and shear pins are to be considered as a preventive measure not as an assured protection, any damages resulting from the lack of shear bolts breakage are not covered.
- Damages due to product being installed on vehicle other than stipulated in the owner's manual.

NOTE: All warranty work must be performed by an authorized dealer using original (manufacturer) replacement parts.

**NOTE:** Bercomac reserves the right to change or improve the design of any part or accessory without assuming any obligation to modify any product previously manufactured.

## Instructions for Obtaining Warranty Services:

Contact dealer where equipment was purchased or any other BERCO service dealer to arrange service at their dealership. To locate a dealer convenient to you, access our website at [www.bercomac.com](http://www.bercomac.com). Don't forget to bring your proof of purchase (sales receipt) to the BERCO dealer.

## Owner's Responsibilities:

BERCOMAC's defective equipment or part must be returned to an authorized dealer within the warranty period for repairs. In the event that defective merchandise must be returned to manufacturer for repairs, freight fees are prepaid and a written authorization from BERCOMAC must be obtained by dealer prior to the shipment. This warranty extends only to equipment operated under normal conditions. To validate a warranty claim, it is the user's responsibility to maintain and service the unit as specified in the owner's manual or to have the unit serviced at their dealer at their expense.

## General Conditions:

The sole liability of BERCOMAC with respect to this warranty shall be strictly and exclusively repair and replacement as mentioned herein. BERCOMAC shall not have any liability for any other costs, loss or damage, including but not limited to, any incidental or consequential loss or damage.

Taking advantage of the warranty does not in any way extend the length or renewal of the warranty.

In particular, without being limited to, BERCOMAC shall have no liability or responsibility for:

- Travel time, overtime, after hours time or other extraordinary repair charges or relating to repairs and or replacements outside of normal business hours.
- Rental of like or similar replacement equipment during the period of any, repair or replacement work.
- Any communicating or travel charges.
- Loss or damage to person or property other than that covered by the terms of this warranty.
- Any claims for lost revenue, lost profit or any similar costs as a result of damage or repair.
- Attorney's fees.

BERCOMAC's responsibility in respect to claims is limited to making the required repairs or replacement without charge up to our maximum labor rates and pre-established times and no claim of breach of warranty shall be cause for cancellation or rescission of the contract of sale of any product or accessory. In no event shall recovery of any kind be greater than the amount of the purchase price of the product sold.

This warranty gives you specific legal rights. You may also have other rights, which vary from state to state.



**NOTES**

---

---

---

---

---

---

---

---

---

---

---

---

---

---

---

---

---

---

---

---

---

---

---

---

---



WHEN PERFORMANCE  
& DEPENDABILITY  
ARE NON NEGOTIABLE !

Bercomac Limitée  
92, Fortin North, Adstock, Quebec, Canada, G0N 1S0

[WWW.BERCOMAC.COM](http://WWW.BERCOMAC.COM)

PRINTED IN CANADA

(ORIGINAL NOTICE)